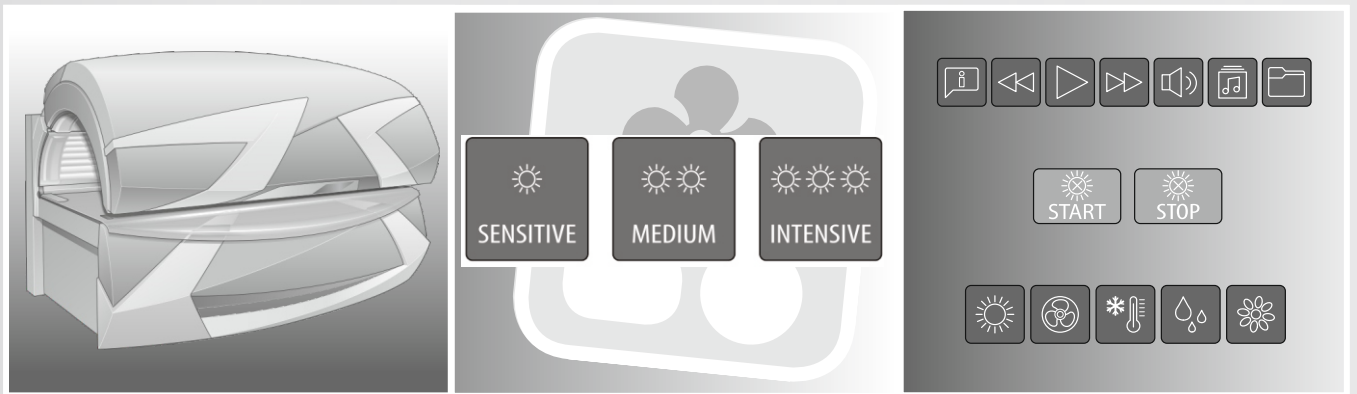
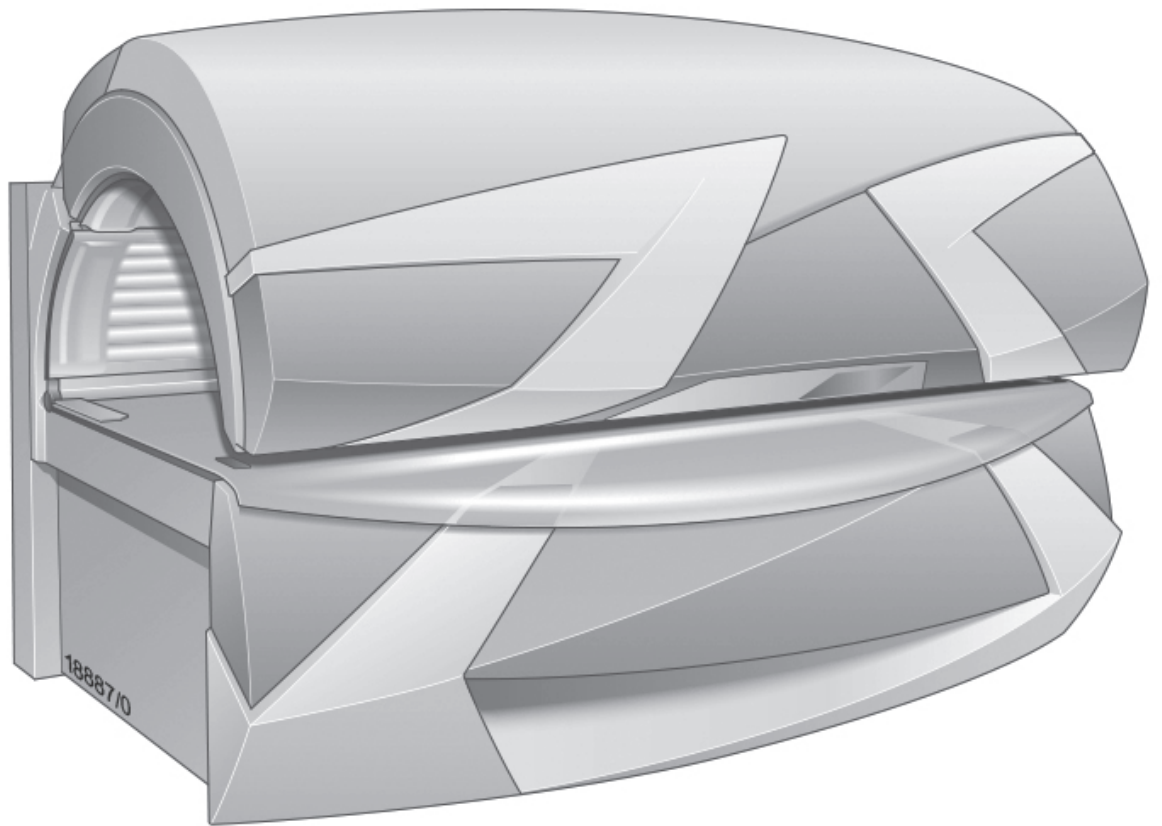


■ Operating instructions



Ergoline



CE

Operating instructions

Translation of the original operating instructions

Prestige Lightvision SLP

Hybrid Technologie

1020307-00A / en / 06.2019

Ergoline

Legal notice



Manufacturer: JK-Products GmbH

Köhlershohner Straße 60
53578 Windhagen
GERMANY

Tel.: +49 (0) 22 24 / 818-140

Fax: +49 (0) 22 24 / 818-166

**Customer service /
Technical service
(Spare part orders for
components): JK-International GmbH,
Division JK-Global Service**

Köhlershohner Straße 60
53578 Windhagen
GERMANY

Tel.: +49 (0) 22 24 / 818-861

Fax: +49 (0) 22 24 / 818-205

E-mail: service@jk-globalservice.de

**Spare part orders for
consumables: JK-International GmbH,
Division JK-Licht**

Köhlershohner Straße 60
53578 Windhagen
GERMANY

Tel.: +49 (0) 22 24 / 818-600

Fax: +49 (0) 22 24 / 818-615

E-mail: info@jk-licht.de

DANGER!



Failure to observe these instructions:

- can result in serious injury and death,
- can result in damage to the device and the environment.
- Read these instructions carefully before putting this device into operation.
- Please observe the instructions and the code of conduct required to operate the device safely.
- Please make the instructions and additional information from the manufacturer available to the personnel at their workplace.

Copyright

The copyright remains with JK-Holding GmbH.

The contents may not be partially or completely duplicated, distributed or utilized for competition purposes without authorisation or disclosed to other parties.

The right to make technical changes in regard to the figures and information contained in this instruction manual is reserved!

Table of contents



1	Safety instructions and warnings.....	6
1.1	General	6
1.1.1	Definitions	6
1.1.2	Symbol explanation	7
1.2	Intended use	8
1.3	Foreseeable misuse	8
1.4	Tanning safety information	9
1.4.1	Prohibited usage	9
1.4.2	Important notes	10
1.4.3	Skin type descriptions	11
1.4.4	Tanning times EN (UV type 2)	12
1.5	Safety instructions and warnings	13
1.5.1	Operator's obligations	13
1.5.2	Personnel training	13
1.5.3	Scope of delivery.....	13
1.5.4	Transport, assembly and setup.....	13
1.5.5	Commissioning.....	16
1.5.6	Operation and maintenance.....	16
1.5.7	Decommissioning.....	17
1.5.8	Storage	17
1.5.9	Disposal	17
1.5.10	Directives	18
1.5.11	Export.....	18
1.5.12	AUX (music).....	19
1.5.13	Technical modifications.....	19
1.6	Signs and stickers on the device.....	20
1.7	Warranty	24
1.8	Warranty and liability exclusions	24
2	Description	25
2.1	Scope of delivery.....	25
2.1.1	Optional.....	25
2.2	Equipment.....	25
2.3	Device description.....	26
2.4	Accessories (optional).....	27
2.5	Functional description	27
3	Operation	28
3.1	User safety information	28
3.2	Tanning - but correctly!	28
3.3	Operating overview	30
3.3.1	PROFESSIONAL SETUP MANAGER PLUS.....	31
3.3.2	Navigation	31



3.4	Functions.....	32
3.4.1	Navigation	34
3.5	Selection of the application type (SELECTABLE TANNING PROGRAMS)	36
3.6	Start.....	36
3.7	Coupling with Bluetooth® devices	37
3.8	Listening to music.....	39
3.9	Voice control ELECTRONIC VOICE ASSISTANT(E.V.A.) (optional).....	40
4	Cleaning and maintenance	41
4.1	Safety instructions when undertaking cleaning or maintenance work.....	41
4.2	Faults.....	42
4.3	Cleaning	42
4.3.1	Cleaning the surfaces.....	43
4.3.2	Filter panels and lamps	43
4.4	Cleaning plan	44
4.5	Maintenance	45
4.5.1	Acrylic glass	46
4.5.2	REMOTE ACCESS	46
4.6	Maintenance plan	46
4.7	Cleaning and maintenance work preparation	50
4.7.1	Service kit.....	50
4.7.2	Lift up the acrylic glass panel and remove the partition.....	51
4.7.3	Remove the canopy panel.....	52
4.7.4	Remove the side section panel	52
4.7.5	Open the bed base	53
4.8	Instructions for replacing the lamps.....	54
4.8.1	NFC: Lamp replacement	54
4.8.2	Low pressure lamps	55
4.8.3	Starter.....	56
4.8.4	High pressure lamps and filter panels	57
4.9	Cleaning or replacing lamps in the base	58
4.10	Cleaning or replacing the lamps in the side section	59
4.11	Cleaning or replacing lamps and filter panels in the canopy	60
4.12	Cleaning or replacing the low-pressure lamps in the shoulder tanner.....	61
4.13	Cleaning the filter in the base	63
4.14	Cleaning the canopy filter mats	64
4.15	Cleaning filter mats in the shoulder tanner	65
4.16	Air conditioning: Empty the condensation tank and clean the filter	66
4.17	AQUA / AROMA system maintenance	69
4.17.1	Changing the AROMA canister	69
4.17.2	Replacing the AQUA SYSTEM canister	70

5	Technical data	72
5.1	Power, connection rating and noise level.....	72
5.2	Dimensions	73
5.3	Lamp sets	74
5.3.1	Prestige Lightvision SLP	75
5.4	Spare parts and accessories.....	76
6	Appendix.....	77
6.1	JK timer controls	77
6.2	Equivalence key range.....	77
6.2.1	Description of the equivalence keys for fluorescent lamps	78
7	Index.....	79



1 Safety instructions and warnings



To ensure safe operation of the device, it is necessary to read the following safety instructions and warnings carefully and comply with them.

The safety instructions summarized here are repeated in the corresponding chapters, where necessary.

1.1 General

1.1.1 Definitions

Operator

Person who provides the devices described here to users on a commercial basis. The operator is responsible for the correct operation of the device as well as compliance with the maintenance intervals.

User

A person who uses the device at a commercial location.

Personnel

People who are responsible for the operation, cleaning and general maintenance work and who instruct the users in the operation of the devices.

Electrician

A person with suitable professional training, knowledge, experience and knowledge of the applicable regulations which enable them to identify and avoid the dangers which can arise from working with electricity.

Authorized, trained and qualified personnel

Qualified staff from an external company who have been trained and authorized by the manufacturer to undertake assembly and maintenance work on specific equipment.

1.1.2 Symbol explanation

The following types of safety notices are employed in these operating instructions:



DANGER!



Type and source of hazard

This safety notice indicates the existence of a direct danger to body and life.

DANGER!



Type and source of hazard

This safety notice warns of dangers to body and life which are caused by electricity.

WARNING!



Type and source of hazard

This safety notice warns of machine, material or environmental damage.



NOTE:

This symbol does not identify any safety notices, but provides additional information to better understand the processes.



1.2 Intended use

This device serves the purpose of cosmetic tanning for one adult person with skin suitable for tanning. Additional information is available on pages 11 and 28.

This device is intended only for commercial use and not for private use.

Some people are not permitted to use the device, see page 9.

The device may not be used by people with reduced physical, sensory or mental capabilities or who have insufficient experience and/or knowledge without supervision. A person responsible for their safety must ensure, either by supervision or instruction, that the device is used correctly and safely. If there is any doubt, use of the device by such categories of persons is to be forbidden!

The device may only be operated with the specified or equivalent lamps. The tanning times given in this instruction manual are valid only for the specified lamp set.

Any other use shall be considered improper. The manufacturer cannot be held liable for damage or injuries resulting from this. The operator bears the sole risk for this.

Proper use also includes compliance with the manufacturer's instructions and its operating and maintenance conditions. The device may only be operated, maintained and repaired by trained professionals familiar with this device and who have been informed of the dangers involved.

1.3 Foreseeable misuse

The following uses of the device are explicitly prohibited:

- The device may not be used by several people at the same time. The acrylic glass panel may otherwise break and cause injuries.
- People with a body weight of more than 135 kg may not use the device. The acrylic glass panel may otherwise break and cause injuries.
- Exceeding the specified tanning times may result in burns and long-term skin damage.
- When the device is in use no other people may remain in the cabin, in particular no children.
- People under 18 years of age may not use the device.

1.4 Tanning safety information

1.4.1 Prohibited usage



DANGER!



UV radiation

Danger of skin and eye injuries or skin diseases!

– Please observe the following instructions.

The following people may not use the device:

- People under 18 years of age
 - People who cannot tan
 - People who cannot tan in the sun without risking a sunburn
 - People who easily sunburn when in the sun
 - People with acute sunburn
 - People who repeatedly suffered from serious sunburn during childhood
 - People with naturally red hair
 - People with atypically discoloured areas of skin
 - People who have or have had skin cancer
 - People who suffer from an increased risk of skin cancer (e.g. cases of skin cancer in the family)
 - People among whose closest relatives a melanoma has occurred
 - People who are being medically treated for photosensitivity
 - People taking photosensitivity causing medicine
 - People with freckles and people who tend to develop freckles
 - People with more than 16 moles on their body (2 mm diameter or larger)
 - People with atypical moles (atypical moles are, for example, asymmetrical moles with a diameter greater than 5 mm, with varying pigmentation and irregular edges)
- **Seek medical advice without fail if in doubt!**

Relative contraindications

The following people may only use the device after consultation with their doctor:

- People with chronic illnesses, in particular those related to the skin
- People with illnesses of the immune system / auto-immune diseases
- People with collagenosis (e. g. lupus erythematoses, scleroderma)
- People suffering from rosacea (copper rose)
- People with spider veins (e. g. couperose, Osler's disease, spider nevi)
- People with low blood pressure, cardiovascular diseases
- People suffering from venous diseases
- People suffering from cancer
- People with fresh wounds following an operation or surgery
- People with tattoos or piercings which have not fully healed
- Pregnant women



Should there be any doubt with regard to compatibility, despite no known medical side effects, a test application of a maximum of 5 minutes should be initially carried out and the reactions observed. If no adverse reactions are found after 48 hours, normal application may be begun.

1.4.2 Important notes

All other people must observe the following instructions:

Danger of skin and eye injuries or skin diseases!

- The skin can become sunburnt when exposed to excessive radiation. Excessive, frequently repeated UV radiation exposure from natural sunlight or UV devices can result in premature ageing of the skin and an increased risk of skin tumours.
- Particular caution is advisable for individuals who are especially sensitive to UV radiation, and when certain medicaments or cosmetics are used. Seek medical advice without fail if in doubt!
- UV devices should not be used without medical advice if unexpected manifestations such as itching occur within 48 hours of first using the sunbed.
- Increasing tanning requires increased exposure time (= radiation time) or after a certain degree of tanning has been achieved, increased tanning is not possible. However, the radiation time may not be extended as desired within the scope of the permissible radiation doses! Therefore, only a certain level of final tanning, which depends on the skin type, can be achieved without endangering your health.
- The tanning device may never be used when a filter panel is missing or damaged, or the timer is defective!

Behaviour before, during and after a sunbath:

- During the tanning session no other people may remain in the cabin, in particular no children.
- Remove all jewellery (including piercings) before the tanning session.
- Remove cosmetics before tanning and do not use sun screen products.
- Do not use any products intended to accelerate tanning.
- UV light can cause irreversible skin or eye damage. The unprotected eye can become inflamed on the surface, and in certain cases the retina can be damaged by excessive radiation. Cataracts can form after numerous repeated tanning sessions. **Use the UV-impermeable protective goggles provided** (order no. 84592-..). Contact lenses and sun glasses are no substitutes for protective glasses.
- Protect sensitive skin areas such as scars, tattoos and genitals before tanning.
- Observe the recommended tanning times.
- During a tanning session the quantity of radiation which results in the skin reddening (MED, minimum erythema dose) may not be exceeded. If reddened skin occurs around 16-24 hours after the tanning session you may not use the tanning device again for one week. After one week you can start again from the beginning with the first tanning session in accordance with the tanning table.
- The time between the first two sessions on the sunbed must be at least 48 hours! Do not take an additional sunbath on the same day.
- See a doctor if stubborn swelling, sores or pigmented moles form on the skin.

1.4.3 Skin type descriptions

DANGER!



Burns and long-term damage!

People with skin type I may not use the tanning device.

The following applies to people with skin types II, III and IV:

- Observe the tanning times.
- Observe the safety instructions.



NOTICE:

The tanning times are only valid for the lamp set and filter panels specified on the lamp set sticker.

The tanning sessions should be at least 48 hours apart.

The maximum dosage of 25 kJ/m² per year should not be exceeded.

The maximum dosage is weighted according to NMSC.¹

Skin type I	Skin type II	Skin type III	Skin type IV
Sensitive skin	Light skin	Normal skin	Dark skin
Always/frequently burns	Usually burns	Sometimes burns	Rarely burns
Tolerates only a small amount of natural sun.	Tolerates approx. 10-20min. of natural sun.	Tolerates approx. 20-30min. of natural sun.	Tolerates approx. 40 min. of natural sun.

¹ NMSC: Non Melanoma Skin Cancer



1.4.4 Tanning times EN (UV type 2)



NOTICE:

People with skin type I should not use the device.

- Observe the tanning times

Observe the national requirements!

The tanning dosage of 3 kJ/m² per tanning period should not be exceeded.

The maximum tanning time must not exceed 33.

The tanning sessions must be at least 48 hours apart.

The maximum tanning minutes per year should not exceed 833 minutes.

Prestige Lightvision SLP:

- UV low pressure lamps
ERGOLINE TREND ADVANCED 80-200 EP104 160W R 1511231-..
- Low pressure lamps SMART SUN+ R 27 160W 1511232-..
- Low pressure lamps SMART SUN 71 8W 1509418-..

Number of tanning sessions	Skin type I	Skin type II	Skin type III	Skin type IV
	[min]	[min]	[min]	[min]
1	–	5	5	5
2	–	11	11	11
3	–	13	13	13
4	–	13	13	13
5	–	16	16	16
6	–	16	16	16
7	–	20	20	20
8	–	22	22	22
9	–	25	25	25
10	–	25	25	25



NOTICE:

According to standard EN 60335-2-27:2013 the tanning table is not depending on skin types.

Identical tanning times are valid for all skin types, with the exception of skin type I.

1.5 Safety instructions and warnings



1.5.1 Operator's obligations

As the operator you are responsible for providing clear operating, cleaning and maintenance instructions and ensuring the intended use and the proper operation of the device by means of training and instruction for the personnel. Your operating instructions must enable the safe use and safe operation of the device and take into account the characteristics and expertise of your company and also the national work safety and environmental protection regulations (within the European Union, the EU directive 89/391/EEC).

1.5.2 Personnel training

As the operator you are obliged to train your personnel and instruct them in the established legal and accident prevention regulations. Ensure that your personnel have understood and observe these operating instructions. This applies in particular to the

- information in 'Intended use' and 'Foreseeable misuse'
 - safety instructions in the 'Operation' chapter
 - operating instructions
 - cleaning and maintenance instructions
- Please make the instructions and additional information from the manufacturer available to the personnel at their workplace.
 - Regularly check your personnel's safety consciousness and awareness of the risks, taking into account your operating instructions.
 - Please ensure that the cleaning intervals are complied with, in particular cleaning after every tanning session.
 - Please ensure that your personnel provide your customers with appropriate advice, in particular regarding tanning times, possible risks and the operation of the device.
 - People under 18 may not use the device. Please instruct your personnel to check the customer's identification in the event of doubt.

1.5.3 Scope of delivery

Information regarding the scope of delivery is contained in the 'Description' chapter on page 25.

1.5.4 Transport, assembly and setup

The device is delivered by a specialist company and assembled and set up by the manufacturer's own service personnel or by an authorized service company.

As an operator you are responsible for complying with the on-site ventilation and electrical requirements at the setup location, see page 14.



Assembly

DANGER!



Personal danger due to electric shock or burns!

- The assembly and electrical connection must comply with the national regulations.
- The on-site electrical installation must be fitted with an easily accessible all-pole isolating device (master switch), complying with overvoltage category III. This means that each pole must have a contact opening width complying with the conditions of overvoltage category III for full isolation.
- If the connection is established via a plug-in connection then the connection system according to EN 60309 must be utilized.
- Assembly, installation, upgrading or repair of the device may only be carried out by specially trained and authorized personnel.

Information regarding the disassembly and assembly of the device is available in the separate assembly instructions. These assembly instructions are intended solely for use by the manufacturer's service personnel or by qualified specialists authorized by the manufacturer.

Ventilation

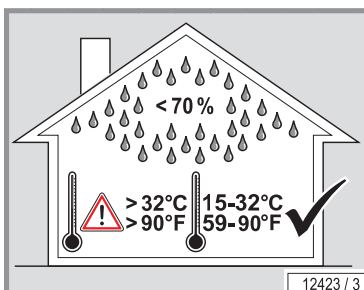
WARNING!



Risk of overheating due to air flow problems!

Operating faults possible.

- Do not change, obstruct or block the air inflow and outflow to the device or make any unauthorized changes to the device. The manufacturer shall bear no liability for damage or injuries resulting from such actions.
- Observe the ventilation system data.
- Do not set up and operate the device on the transport pallet!



Data regarding the air supply and ventilation planning is available in the planning manual (www.ergoline.de, available in English and German). You can also obtain this data from your dealership or the customer service department (see page 2).

Setup location

WARNING!



Salty air! Contaminated air!

Device damage due to corrosion of the housing and electrical components.

- Do not install the device at swimming pools.
- Do not operate the device in locations with aggressive environmental conditions (e.g. air containing chlorine).

Damage to device possible!

Where there are great differences in temperature between the transport route and the installation site the device may not be put into operation immediately after being set up.

- Wait at least 2 hours before connecting the device to the power supply.

Risk of overheating due to air flow problems!

Operating faults possible.

- Do not change, obstruct or block the air inflow and outflow to the device or make any unauthorized changes to the device. The manufacturer shall bear no liability for damage or injuries resulting from such actions.
- Observe the ventilation system data.
- Do not set up and operate the device on the transport pallet!

Environmental conditions

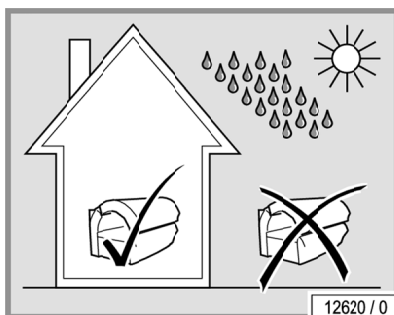
- Optimum ambient temperature: Between +15 °C and +32 °C
- Storage temperature: Between -15 °C and +60 °C

The device is not to be used outdoors.

Adaptation of the unit is required for operating altitudes greater than 2000 m above sea level in order to guarantee trouble-free operation.

The device is not suitable for operation in mobile facilities (ships, buses, trains). Adaptation of the unit is required in order to guarantee trouble-free operation when used in mobile facilities.

Please contact the customer service department without fail before putting the device into operation - see page 2.





1.5.5 Commissioning

DANGER!



Damaged mains power cable!

Danger to persons through electric shock or burns.

- Only the manufacturer or specialist companies are permitted to replace the mains power cable.

Initial commissioning will be undertaken by the manufacturer's own service personnel or by an authorized service company. The device will be handed over ready for use.

If the device has not been used for a longer period of time, then it must first be inspected by our customer service department or by another authorized company before being put back into operation again.

The device is operated with an external time-control unit.

A time control unit must be attached so that the device automatically switches off at the latest after <110 % of the selected running time even if the controller fails. The device running time must be secured with a timer control that complies with the standard EN 60335-2-27).

Dependent on the local power supply company, the devices can transmit interference to the power system of the building that impair the audio-frequency remote control system used by the power supply company. This can, for example, interfere with the function of night-storage heaters.

If faults occur due to the operation of the devices, then the operator is responsible for the installation of an audio frequency blocking device in the building electrical installation. Please contact your electrician. The electrician is familiar with the technical connection conditions of your local utility company so that the audio-frequency blocking device can be matched to the power system of your power supply company.

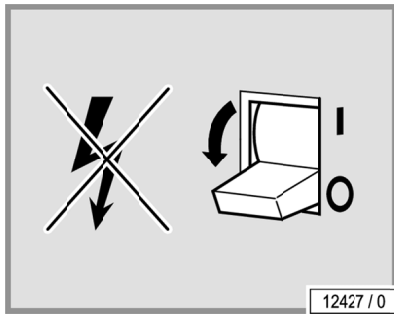
1.5.6 Operation and maintenance

Error-free operation, maintenance and service are required in order to ensure that the health and safety of the users is not endangered during operation and to ensure that the device is in a fault-free operating condition.

Please observe the information and recommendations provided in these operating instructions. Please ensure that the intervals for the inspection, maintenance and service are complied with. Please ensure that the lamps are replaced after the specified usage time.

Unauthorized modifications and changes to the device and its control unit are prohibited. Failure to comply with this invalidates the operating licence!

To avoid hazards, the device must not be used if the mains power cable is damaged. A damaged mains power cable must be replaced by the manufacturer or their customer services, or by trained and qualified specialist personnel.



1.5.7 Decommissioning

The device must be disconnected from the power supply in order to temporarily or permanently decommission it.

You must abide by the legal disposal requirements when permanently decommissioning the device.

1.5.8 Storage

Store the devices in a dry location with a stable temperature. Once the device has cooled off, pack it in plastic wrapping to protect it against scratches.

- Storage temperature: Between -15 °C and +60 °C

1.5.9 Disposal

Environmental regulations – disposal of lamps and batteries

Lamps contain fluorescent materials and other waste containing mercury. Batteries contain heavy metal compounds.

Within the European Union the national implementation of the Waste Framework Directive 2018/851/EG applies. According to the national waste disposal laws and in accordance with the municipal waste regulations, proof must be provided of the proper disposal of lamps and batteries.

Your local sales agency will be happy to assist you with the disposal of lamps and batteries:

- Inform your local agency of the number of lamps and batteries by telephone or in writing.

The agency will then provide you with the name of a free delivery point for your lamps or will take care, in conjunction with a disposal company, of the collection and proper disposal of the lamps. This service is available for a fee. Outside Germany, the respective national legislation applies. Please contact your local sales agency.

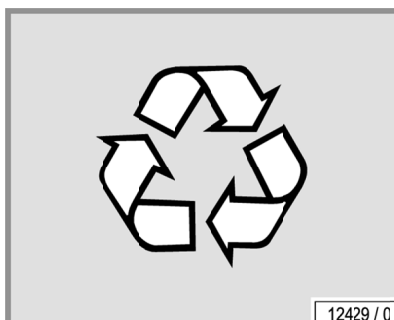
Packaging

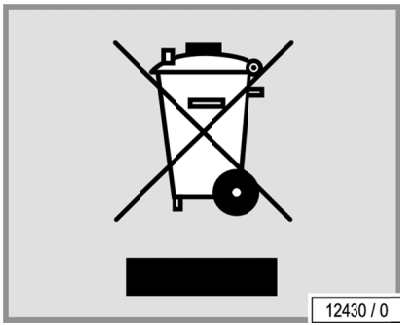
All packaging consists of 100 % recyclable materials. Packaging brought into circulation by the JK Corporate Group that is no longer required can be returned to the JK Corporate Group. Your partner agency or dealer will be happy to advise.

Disposal of old devices

The device has been manufactured using recyclable materials. The JK Corporate Group will provide you with information on the content or potential hazards of the materials used.

The manufacturer is obliged to take back and dispose of certain electrical and electronic components in accordance with the 2012/19/EC Directive.





The components and devices are labelled with the following symbol:
The device will, if requested, be properly disposed of by the JK Corporate Group. This service is available free of charge. Your partner agency or dealer will be happy to advise.

Registration numbers

Companies within the JK Corporate Group are registered as manufacturers in Germany and accept all obligations in respect of the German Electrical and Electronic Equipment Act.

Registry number JK-Licht GmbH (Lamps): WEEE-DE 61515020

Registry number JK-Products GmbH (Devices): WEEE-DE 62655951

1.5.10 Directives

See the included EC Declaration of Conformity.

1.5.11 Export

We emphasize that these devices are only intended for the European market and must not be exported to or operated in other countries e.g. the USA or Canada! The manufacturer does not accept any liability in the event of non-observance! We explicitly emphasize that non-compliance may result in high liability risks for the exporter and/or the operator.



1.5.12 AUX (music)

If an MP3 player or a smartphone is used privately during the application, then this does not constitute a public performance in the sense of copyright law, so that no reporting or fee obligation exists on the part of the studio operator towards the organisation responsible for issuing the commercial performance rights.

For the public use of MP3 music files, the same legislation applies as for all other music sources: As a studio operator/studio owner, you may only play original audio CDs, MCs, audio DVDs etc., on your premises and/or play music via the 'MP3-music modules' which are provided in the devices from JK-International GmbH if you have acquired the necessary stage rights. You can acquire these from the organisation responsible for issuing commercial performance rights in your country (in Germany: GEMA/GVL).

Copy-protected audio CDs, MCs, audio DVDs etc., as well as titles contained on these media, may not be converted to MP3 format and/or saved on HDD, audio CDs, MCs, audio DVDs etc., if software is used to do this, which disables or circumvents the copy-protection contained on the media.

You must be ready at any time to prove your granting of stage rights by presentation of the appropriate stage rights certificate when requested by a representative or another controlling body of the responsible organisation.

As long as you observe all the listed instructions and have acquired the necessary rights for use of the 'MP3-music module', you may convert your original audio CDs, MCs, audio DVDs etc. into the MP3 format required by the player. Only one copy (duplicate or MP3 format conversion) of lawfully acquired audio CDs, MCs, audio DVDs etc. may be made. The source media (original media) must be retained and may not be used simultaneously.

Further details can be found in the information brochure 'Audio Guide' available on the Internet at <http://www.jk-globalservice.de>.



NOTE:

Pre-recorded SD cards which are delivered as accessories for a JK audio system are also subject to payment obligation for commercial usage.

1.5.13 Technical modifications

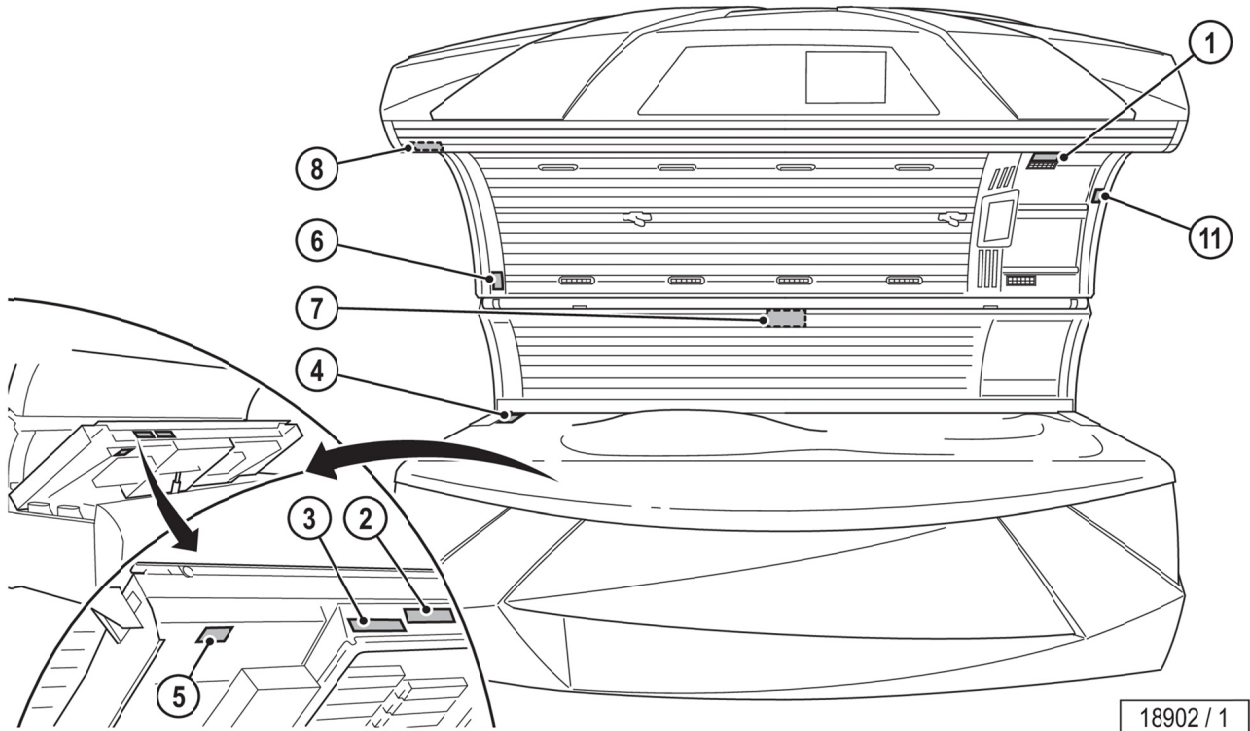
The device has been constructed in accordance with the current state of the art and the applicable safety regulations. The illustrations and specifications in these operation instructions are subject to technical modifications which are required in order to improve the device.

Unauthorized modifications and changes to the device and its control unit are prohibited. Failure to comply with this invalidates the EC conformity!

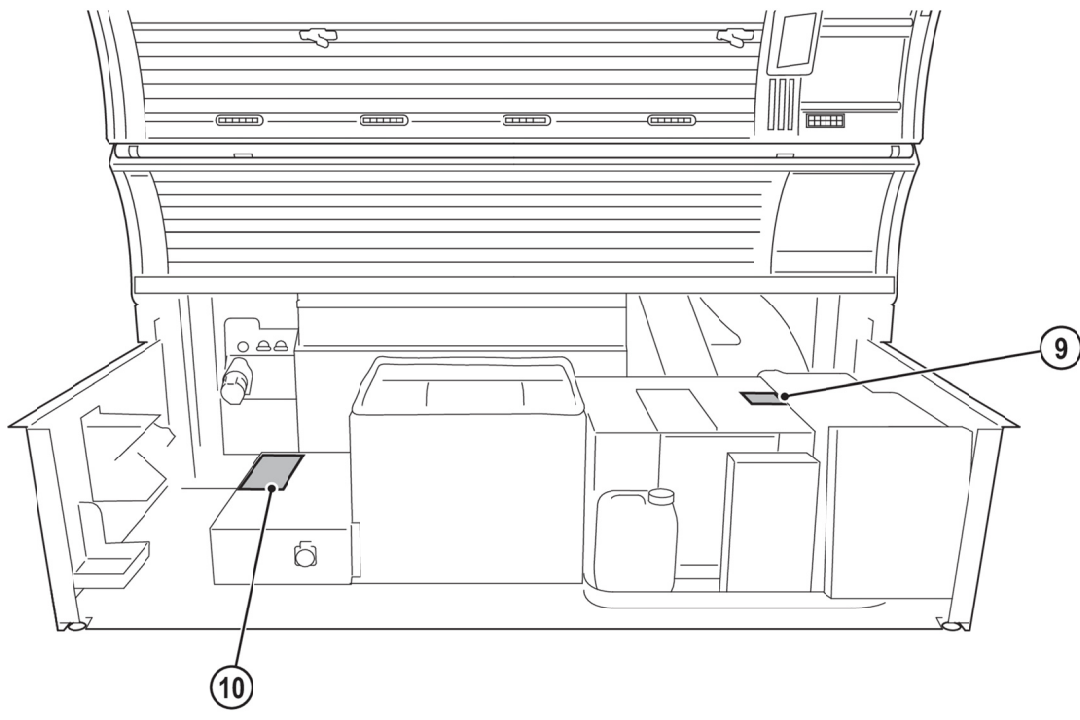
Please use only original spare parts. Failure to comply with this invalidates the EC conformity!

1.6 Signs and stickers on the device

Danger area warning signs and important information about components are attached to the device. The signs shown below are examples. Ensure that the warning signs are always clearly recognisable and legible. Any missing warning signs or stickers must be replaced.

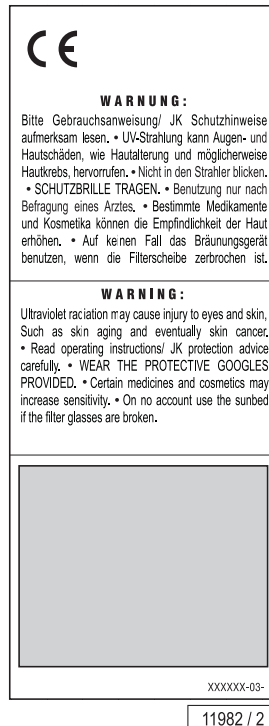


18902 / 1



18903 / 0

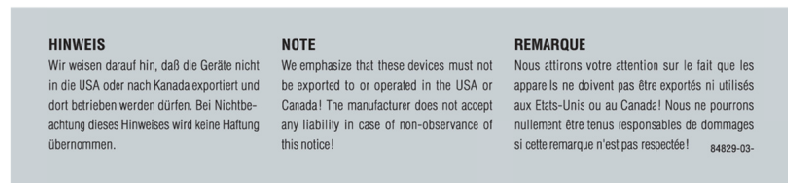
1: EU warning sticker (1012638-..)



11982 / 2

This sticker also includes the language form 1504231-.. (see accessories Technical Documentation).

2: 'No export USA/Canada' sticker (84829-..)



11977 / 1

The sticker is mounted on the bottom edge at the front of the bed base.

3: 'Only use original spare parts' sticker (801026-..)

The sticker is mounted on the bottom edge at the front of the bed base.

4: Lamp set sticker

Ergoline		ESPRIT 770-S DYNAMIC POWER	
	10x		Ergoline TREND 80-200 W ES 1004280-
	8x		Ergoline TREND 80-200 W ES 1004280-
	20x		Ergoline TREND 80-200 W ES 1004280-
	4x	2x	Ergoline ULTRA 250W 1000984- ULTRA PERFORMANCE 862 1000943- ULTRA PERFORMANCE 862 1004204- Ergoline TREND 8 W ES 1003085-
	-	-	Ergoline TREND 80-200 W ES -
	2x	2x	Ergoline ULTRA 250 W 1000984- ULTRA PERFORMANCE 862 1000943- ULTRA PERFORMANCE 862 1000943-
JK-Products GmbH / GERMANY			1003085-01

12846 / 0

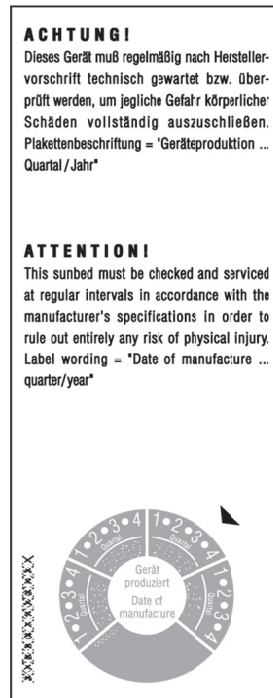
The precise details of the required lamps are available in the separate appendix.



5: AQUA FRESH sticker (800839-..)

The sticker is mounted on the bottom of the bed base.

6: Maintenance instruction sticker (800701-..)



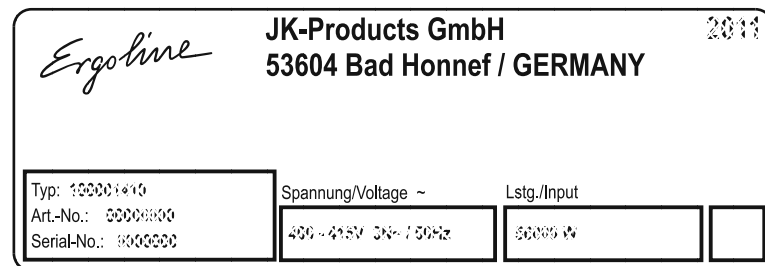
12225 / 1

The sticker is mounted at the foot end on the inside of the canopy.

7: Exhaust air warning sticker (843319-..)

The sticker is mounted in the centre of the rear panel.

8: Type plate

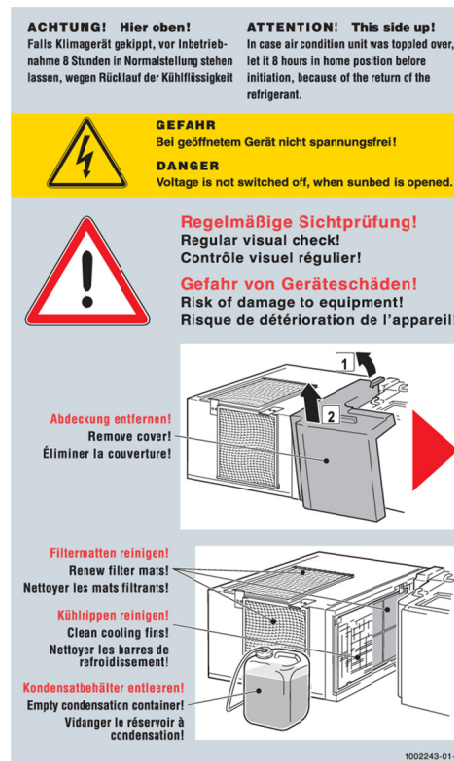


11991 / 1

The name plate is attached to the interior side of the canopy. It contains important information for identifying the device (e. g. the serial number = Serial-No.).

Stickers 9 - 11 are mounted beneath the bed base.

9: Air conditioning sticker (1002243-..)



13435 / 0

The sticker is mounted on the air conditioning.

10: Controller connections sticker (1511737-..)

The sticker is mounted on the controller support.

11: Sticker EMERGENCY OFF (1512131-..)



19329 / 0

The sticker is mounted at the head end on the inside of the canopy.

This sticker also includes the language form 1018688-.. (see Technical Documentation).

ESD (Electrostatic discharge) - sensitive components sticker (85662-..)

This sticker is mounted in several places in the device.



1.7 Warranty

On behalf of customers who have purchased a tanning device for private or commercial utilisation from one of the JK-International GmbH sales partners, JK-International GmbH accepts liability for any defects on the tanning device that arise in accordance with the following regulations; wearing parts such as high pressure lamps (bulbs), low pressure lamps (tubes) and starters and consumables (e.g.: Aqua-System, Aroma-System) as well as the acrylic glass panels are not covered by the warranty

Should the product contain faults, JK-International is entitled and obligated to repair or replace the product at its own discretion. Where it is not possible to repair or replace the product, the customer is able to withdraw from the purchase agreement or reduce the purchase price by a suitable amount. The warranty period is one year from delivery or from acceptance, if an acceptance process is required.

This does not affect the rights of the customer under the existing warranty with regard to any claims that the customer might have in accordance with the contract of purchase.

1.8 Warranty and liability exclusions

Warranty and liability claims for personal injury and property damage are excluded if they are the result of one or more of the following causes:

- improper use of the device;
- improper assembly, commissioning, operation and maintenance of the device;
- operating the device with faulty safety equipment or improperly attached or non-functional safety and protective equipment including warning signs;
- not complying with the information in the operating instructions regarding transport, storage, setup, commissioning, operation and maintenance;
- the use of untrained personnel;
- unauthorized changes to the device or the control unit;
- inadequate monitoring of parts subject to wear;
- repairs carried out improperly;
- the use of non-original spare parts
- emergencies and disasters resulting from the influence of foreign materials or force majeure.

2 Description



2.1 Scope of delivery

- Tanning device
- LED SHOULDER TAN with sound system
- Service kit including an Allen-key and suction cup for filter panels
- Air conditioning system
- Connecting lead
- Protective goggles
- Mastercard NFC (studio operator)
- Technical documentation (instructions, brochures for error codes and default settings and additional documentation)

2.1.1 Optional

- Central exhaust air socket

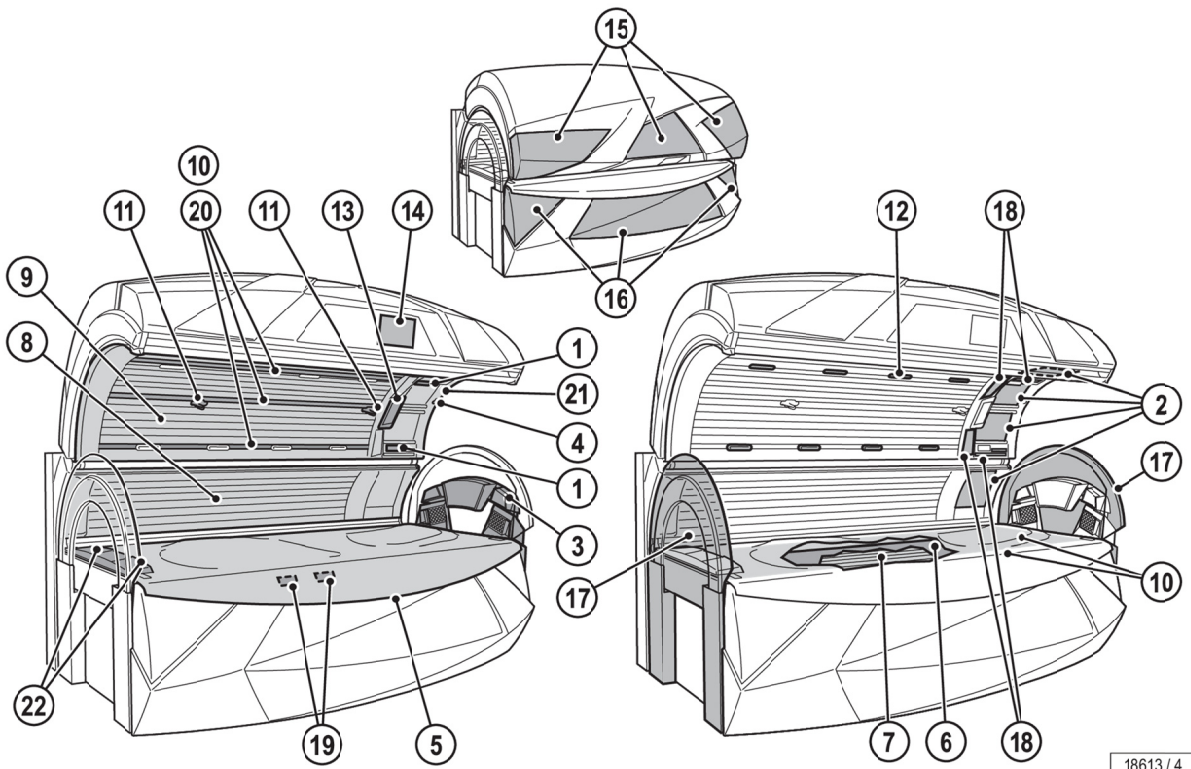
2.2 Equipment

Device equipment varies depending on the model.

In this description, all standard and optional components/functions are taken into account which must be observed during operation and/or when performing maintenance.

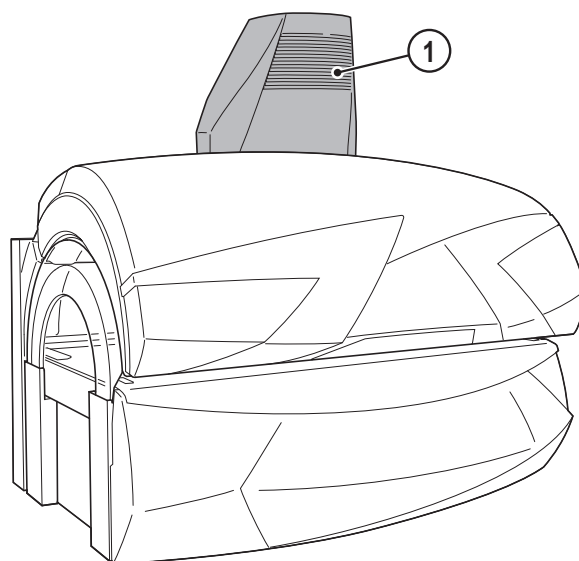
The control panel also differs according to the varying equipment:
Only those buttons are illuminated from behind that can be operated, i.e. the corresponding function must be included in the device's equipment.

2.3 Device description



1. Adjustable air nozzles – Facial cooling
2. Facial tanner (high pressure lamps + low pressure lamps)
3. LED SHOULDER TAN with sound system
4. EMERGENCY OFF button
5. Acrylic glass panel base
6. Partition
7. Low pressure lamps, base
8. Low pressure lamps, side section
9. Low pressure lamps, canopy
10. Interior lighting (LEDs)
11. Nozzles AQUA / AROMA SYSTEM
12. Body cooling air nozzles
13. INTERIOR DISPLAY (TOUCH)
14. PROFESSIONAL SETUP MANAGER PLUS with SELECTABLE TANNING PROGRAMS
15. Decorative lighting, canopy (LEDs)
16. Decorative lighting, front panel (LEDs)
17. Enclosed tanning tunnel
18. LED BEAUTY LIGHT FACIAL
19. Service Light (only with opened bed base)
20. LED BEAUTY LIGHT BODY
21. ELECTRONIC VOICE ASSISTANT (E.V.A.) (optional)
22. Body cooling air nozzles at feet end (optional)

2.4 Accessories (optional)



18859 / 1

1. Central exhaust air socket (optional)

2.5 Functional description

The primary technical components of a solarium are an artificial source of UV radiation and a mechanical structure with a defined active surface.

In the Prestige Lightvision SLP, the UV spectrum is enhanced by special red light lamps.

The Hybrid Performance technology offers wonderful, natural tanning.

A total of 14 low-pressure lamps build up pigments and, in combination with the 38 UV lamps, create an immediately visible and long-lasting tan on the body. Dynamic, electronic ballasts permanently guarantee 100% performance.

Four facial tanners and the new spaghetti lamps enable an outstanding tanning performance in the facial area.

The red light spectrum, which has been developed together with light biologists, is precisely tailored to the skin's biological reaction spectra. The combination of UV and Beauty Light enables an especially beautiful tan, and also protects the skin while tanning.

3 Operation



3.1 User safety information

DANGER!



UV radiation

Danger of skin and eye injuries or skin diseases!

- Please observe the safety instructions and warnings in chapter 1.

Danger of hearing damage!

Listening to music at a high volume can result in permanent hearing damage.

- Do not set the volume too high.

3.2 Tanning - but correctly!

A few things need to be noted to in order to obtain maximum enjoyment from a tanning device. Here are some answers to frequently asked questions.

Make-up in the tanning device?

Please do not wear make-up. Clean skin absorbs UV light better.

A wide variety of materials is found in cosmetics. Whether these are emulsifiers, greases, or fragrances - in conjunction with UV radiation, these can cause skin allergy reactions.

Accordingly, a must before using a tanning device is: Remove all make-up. This is essential. Make-up clogs the pores in the face. The UV light from a tanning device re-opens these clogged pores so that not only does the light penetrate the skin, but also the allergenic components of the make-up.

A further negative consequence of make-up is that the appearance of the skin deteriorates irreversibly over a period of time. However good a decent makeup looks - in conjunction with UV light, it causes more harm than good. Therefore: Remove all make-up before a session in your tanning device - it will be much better applied afterwards.

Showering after leaving the tanning device?

The browning is in the skin, not on it. Therefore you cannot wash it off. Treat your skin to a moisturizing cream after showering.

Are medications and the tanning device compatible?

It is known that some medicaments increase the skin's sensitivity to UV light. This probability is particularly high with antibiotics, sulphonamides, psychiatric drugs, tranquillizers, anti-diabetes treatments and diuretics. Sun creams which contain psoralen or kumarin also increase skin sensitivity. If you are in any doubt, first ask your doctor - then you can enjoy the sun at no risk.

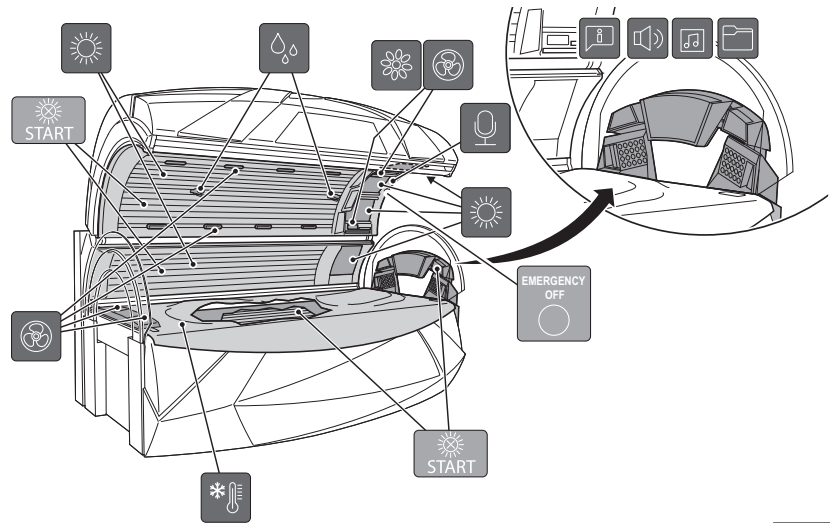
Contact lenses in the tanning device?

The answer is: Yes! Like any other tanning device user, contact lens wearers should also wear special protective goggles which protect the eyes against UV radiation. To guarantee better protection, wearers of spectacles and contact lenses can ask their optician for exchange contact lenses with UV protection. The UV-A and UV-B filters built into exchange contact lenses will protect the cornea and the internal parts of the eye against almost 100 of the energy in UV radiation.

This will benefit tanning device users not only in the open air, but on the tanning device itself. You can wear these contact lenses on the tanning device without any restrictions. For more information, ask your optician or optometrist.

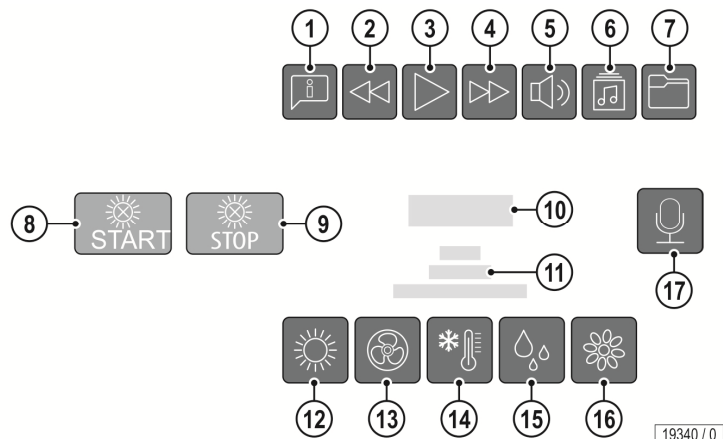


3.3 Operating overview



18614 / 3

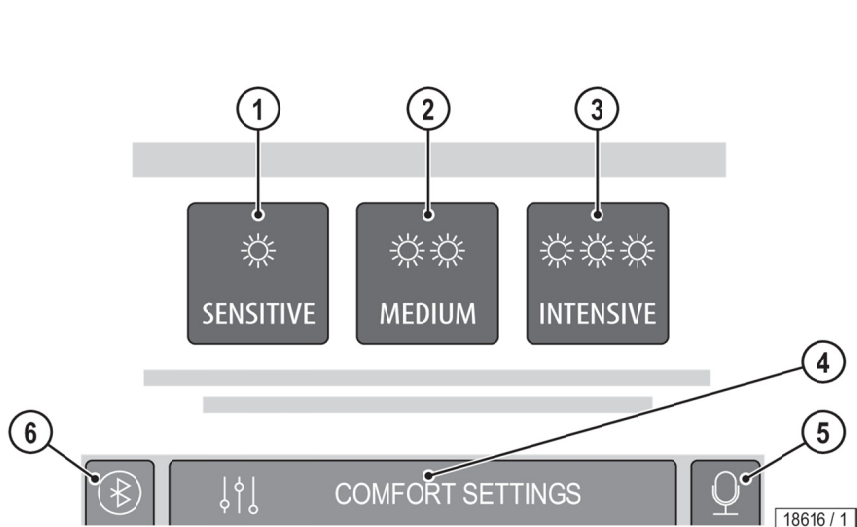
INTERIOR DISPLAY



19340 / 0

1. Voice Guide pictogram
2. Audio back pictogram
3. Audio pause/play pictogram
4. Audio next pictogram
5. Volume pictogram
6. Audio source pictogram
7. Music folder pictogram
8. START pictogram
9. STOP pictogram
10. Display - Tanning time
11. Display - Track title
12. Application type selection pictogram
13. Face/body fan pictogram
14. Climatronic pictogram
15. AQUA FRESH pictogram
16. AROMA SYSTEM pictogram
17. ELECTRONIC VOICE ASSISTANT (E.V.A.)(optional) pictogram

3.3.1 PROFESSIONAL SETUP MANAGER PLUS



1. Application type: SENSITIVE
2. Application type: MEDIUM
3. Application type: INTENSIVE
4. Setup (comfort settings)
5. Voice control E.V.A. (optional)
6. Bluetooth® Connect (Audio System coupling)



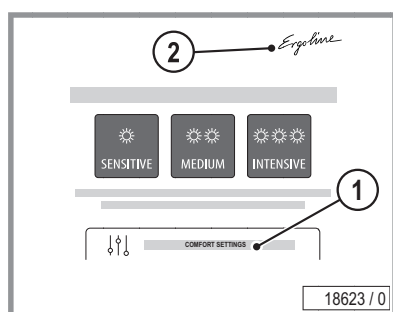
NOTE!

If video option is activated:

In order to interrupt or end the video, briefly touch the PROFESSIONAL SETUP MANAGER PLUS.

More information on the Video Option can be found in the PROFESSIONAL SETUP MANAGER PLUS (order no. 1020179-..).

3.3.2 Navigation



Before starting the device, the most important settings can be selected in advance in PROFESSIONAL SETUP MANAGER PLUS (order no. 1020179-..).

The user can select the application type before tanning starts. Further information on the application types: see chapter 3.5 on page 36.

The user profile can be used to select and save a number of other individual functions before the device is started.

All functions can be reached via the comfort settings (Item 1).



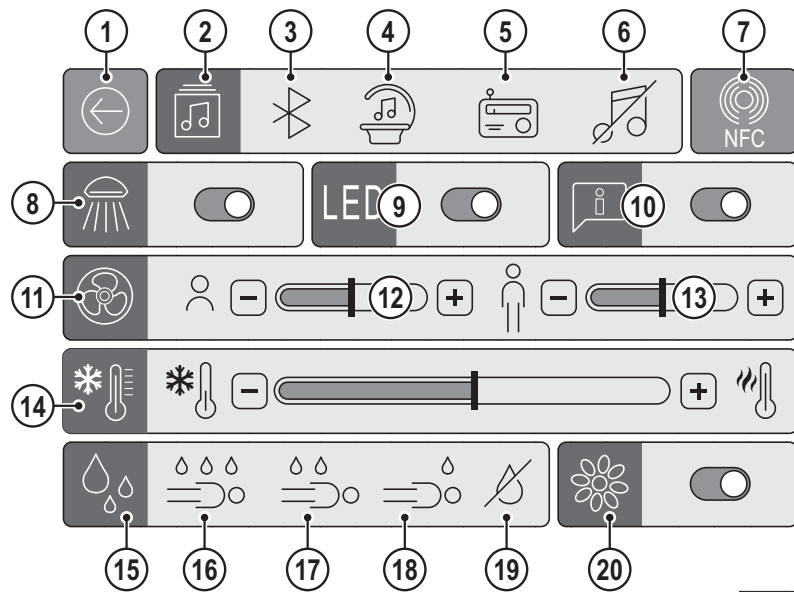
INFORMATION:

Press the ERGOLINE logo (Item 2) to open 'PROFESSIONAL SETUP MANAGER PLUS'.



3.4 Functions

PROFESSIONAL SETUP MANAGER PLUS – User profile



18901 / 1

Icon selection / Key sequence	Description / Display	Information
1	Back arrow: touching the arrow takes you back to the previous interface from any function; touching the arrow several times takes you to the standard display	Back to the standard display
2	Selection of the audio sources	
3	Bluetooth® Connect	Activate by touching.
4	Internal music selection Music folder	Activate by touching.
5	Studioscanal	Activate by touching.
6	Audio sources OFF	Activate by touching.
7	NFC	Activate by touching. Saves the settings on the NFC medium.
8	Facial tanner (ON / OFF)	Moving the slider switches the function on or off.
9	LED (ON / OFF), BEAUTY LIGHT	Moving the slider switches the function on or off.

Icon selection / Key sequence	Description / Display	Information
10	VOICE GUIDE (ON / OFF)	Moving the slider switches the function on or off.
11	Fan (face/body fan)	The fans for the face and body can be adjusted separately. If the user does not change anything, the fan is automatically adjusted to the temperature.
12	Face fan	
13	Body fan	
14	Climatronic	The Climatronic function can be used to increase or decrease the fan temperatures separately.
	Climatronic	Moving the slider enables the Climatronic to be regulated in three levels.
15	AQUA FRESH selection	Can be adjusted separately for the head and body area.
16	AQUA FRESH Head and body nozzles	Activate by touching.
17	AQUA FRESH Body nozzles	Activate by touching.
18	AQUA FRESH Head nozzles	Activate by touching.
19	AQUA FRESH: OFF	Activate by touching.
20	AROMA	Moving the slider switches the function on or off.



NOTE:

All active functions are indicated by a magenta colour.



INTERIOR DISPLAY in standby



NOTICE:


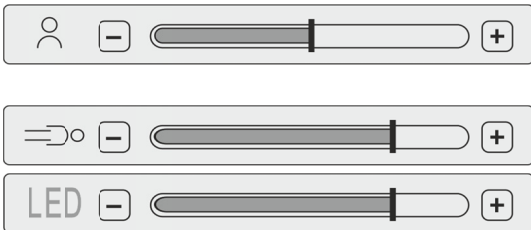



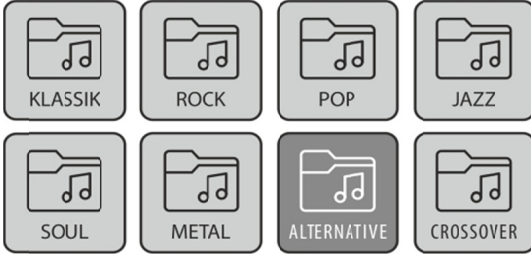

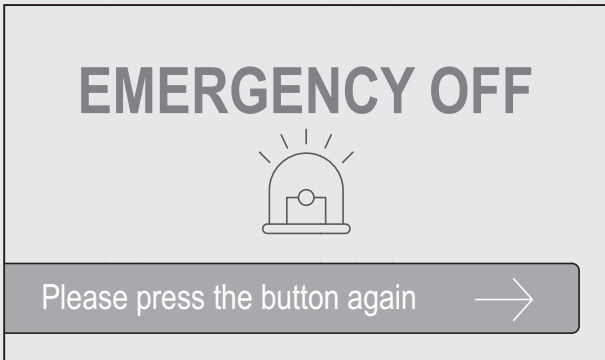
If no application type is selected before the session, the user may select the desired tanning program in the INTERIOR DISPLAY.

Further information on the application types: see chapter 3.5 on page 36.

3.4.1 Navigation

Icon selection / Key sequence	Description / Display	Information
	AQUA FRESH 	AQUA FRESH for head and body AQUA FRESH for body AQUA FRESH for head AQUA FRESH OFF
	AROMA 	AROMA ON / OFF
	Audio sources selection 	Bluetooth® Internal music selection Studio channel selection Audio sources OFF
	Climatronic 	The Climatronic function can be used to increase or decrease the fan temperatures separately. Moving the slider enables the Climatronic to be regulated in three levels.
		Aircondition: Aircondition starts in the event of a Climatronic malfunction.
	Fan (face/body and foot fan) 	The fans for the face, body and feet can be adjusted separately. If the user does not change anything, the fan is automatically adjusted to the temperature.
	VOICE GUIDE 	The VOICE GUIDE takes the user through the operation process. This function can be switched on and off at any time.

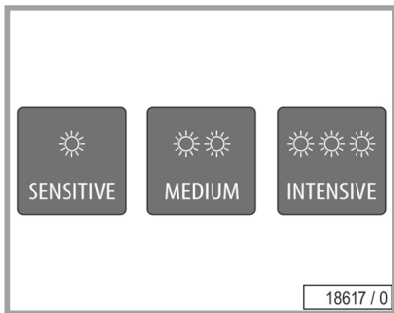
Levels 0-9

Icon selection / Key sequence	Description / Display	Information
	<p>Low pressure lamps, BEAUTY LIGHTs and facial tanners</p> 	<p>Switch off the facial tanner, press the minus button for 3 seconds adjust the facial tanner, levels 0–4 Adjust the low-pressure lamps, levels 1–3 Adjust the BEAUTY LIGHTs, levels 0–3</p>
	<p>Volume</p> 	<p>Levels 0–14</p>
	<p>Music folder</p> 	<p>A maximum of 9 folders can be created. Folder names are limited to a maximum of 12 characters.</p>
	<p>EMERGENCY OFF</p> 	<p>When the EMERGENCY OFF button is pressed, the entire device apart from the INTERIOR DISPLAY switches off. In this status, the display shows that the EMERGENCY OFF button has been operated. The edges of the EMERGENCY OFF button also flash red at the same time. The displays alternate with one another. The tanning time will keep running. The VOICE GUIDE indicates voice guidance. After being blocked for 2 seconds, the EMERGENCY OFF can be reversed again. The device restarts in tanning mode.</p>





3.5 Selection of the application type (SELECTABLE TANNING PROGRAMS)



Before the session begins, the desired application type must be selected. There are 3 possible selections:

- INTENSIVE:
100% power of UV- and SMART SUN lamps and facial tanner
- MEDIUM:
85% power of UV- and SMART SUN lamps, facial tanner level 2
- SENSITIVE:
65% power of UV- and SMART SUN lamps, facial tanner level 2

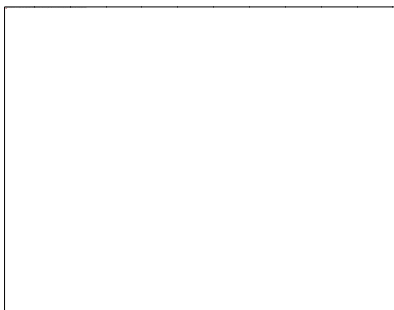
– Press the button for the desired type of application.



NOTE:

In each program, the BEAUTY LIGHT start with 100% performance.
During the tanning session, the intensity of the facial tanner and the BEAUTY LIGHT can be changed at any time, or switched off completely. If no selection of the application type is carried out, the device starts up with the application type „INTENSIVE“

3.6 Start



- Closing the canopy.
- Press the START/STOP button.

Upon starting the following functions are switched on:

- Lamps and LEDs
- Air condition
- Body cooling
- Facial cooling
- Audio system
- VOICE GUIDE

3.7 Coupling with Bluetooth® devices

DANGER!



Danger of hearing damage!

Listening to music at a high volume can result in permanent hearing damage.

- Do not set the volume too high.

Users can pair their own private MP3 player or smartphone with the audio system. The device must be paired before the start of tanning.

Pairing between the solarium and the private smartphone or MP3 player of the user is only possible via Bluetooth®¹ Connect. When using Bluetooth® Connect, the user can transfer their favourite music into the solarium wirelessly (e.g.) from their smartphone. The INTERIOR DISPLAY is used to operate the system during the tanning session.



NOTE:

- Ergoline cannot guarantee full compatibility with all Bluetooth® devices.
- Before coupling a device with this system, read the user manual to find out more about the Bluetooth® compatibility.
- Make sure that the Bluetooth® function is activated on your device and that the device is visible for all other Bluetooth® devices.

Connect to a Bluetooth® MP3 player

Activate the Bluetooth® function and search for Bluetooth® devices.

Activate the Bluetooth® function on the iPhone®:

iPhone®:

Settings General Bluetooth® ON (device search is started.)

Activate the Bluetooth® function on the Android® smartphone:

Android® smartphone:

Press the Bluetooth® symbol SCAN (device search is started.)

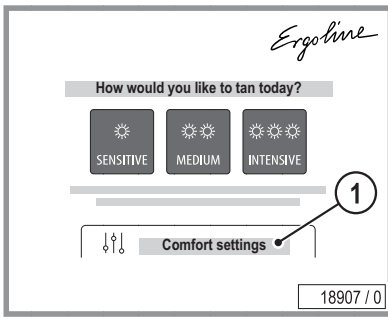


NOTE:

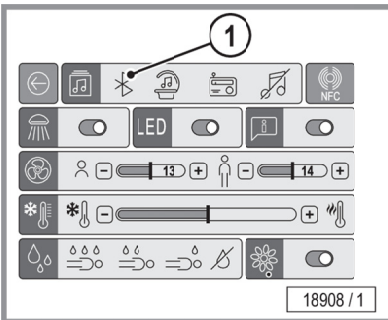
The tanning device can store a maximum of ten coupled Bluetooth® devices. In the event of recoupling the tanning device must first be deleted from the Bluetooth® device. The activation process must then be repeated.

¹ Communication system: Bluetooth® standard version 3.0, version 2.1 and EDR; max. operating range: approx. 10 m; frequency range: 2,4 GHz range (2,4000 GHz – 2,4835 GHz); compatible Bluetooth profiles: A2DP, AVRCP; equipment supported at the same time (pairing): one device

Activate Bluetooth® Connect in PROFESSIONAL SETUP MANAGER PLUS



- Press comfort settings (1) in PROFESSIONAL SETUP MANAGER PLUS.

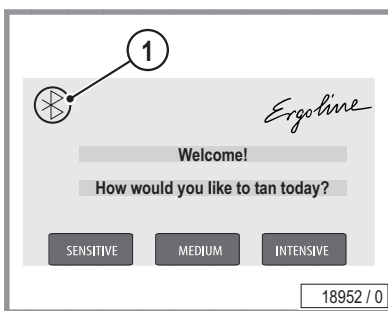


Press the Bluetooth® icon (1) in the user profile.
While the devices are pairing, the Bluetooth® icon (1) lights up continuously in magenta.



- Display in the smartphone.
- Select the Bluetooth® Connect name of the tanning device, e.g. ERGO-LINE 01.

Successful Bluetooth® connection in the INTERIOR DISPLAY

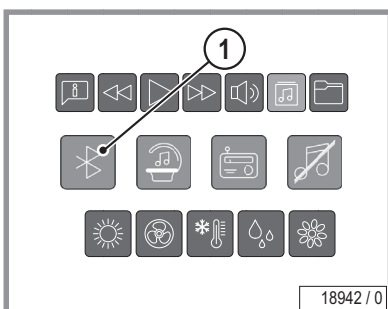


- Status display (1) when the devices have been successfully paired.



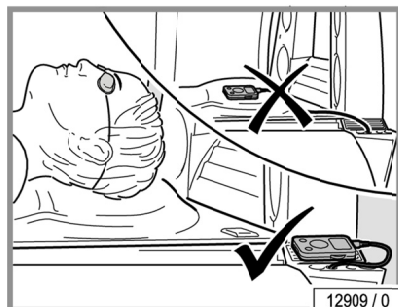
INFORMATION:

When successfully paired, the Bluetooth® symbol (1) in the INTERIOR DISPLAY lights up blue continuously.



Audio sources: Bluetooth® (1) selection in the INTERIOR DISPLAY.

3.8 Listening to music



DANGER!



Danger of hearing damage!

Listening to music at a high volume can result in permanent hearing damage.

- Do not set the volume too high.

CAUTION!



The heat might damage your MP3 player or smartphone!

- Do not place the device directly in the radiation area.



3.9 Voice control ELECTRONIC VOICE ASSISTANT(E.V.A.) (optional)

The ELECTRONIC VOICE ASSISTANT (E.V.A.) allows the solarium to be operated using voice commands. The ELECTRONIC VOICE ASSISTANT can be activated with a click on the outer display. A video tutorial explains the operation. To start the voice control during the tanning session, speak: "EVA" or touch the touch display. The music volume and ventilation are then reduced for a few seconds. In this time, you can give the voice commands.

Voice commands that are currently available:

Body, face and foot ventilation	Ventilation maximum	Ventilation minimum	Ventilation plus	Ventilation minus		
	Fan maximum	Fan minimum	Fan plus	Fan minus		
Body ventilation	Body ventilation maximum	Body ventilation minimum	Body ventilation plus	Body ventilation minus		
	Body fan maximum	Body fan minimum	Body fan plus	Body fan minus		
Face ventilation	Face ventilation maximum	Face ventilation minimum	Face ventilation plus	Face ventilation minus		
	Face fan maximum	Face fan minimum	Face fan plus	Face fan minus		
Foot ventilation	Foot ventilation maximum	Foot ventilation minimum	Foot ventilation plus	Foot ventilation minus		
	Foot fan maximum	Foot fan minimum	Foot fan plus	Foot fan minus		
Body lamps	Body lamps maximum	Body lamps minimum	Body lamps plus	Body lamps minus		
	Body tanner maximum	Body tanner minimum	Body tanner plus	Body tanner minus		
Face lamps	Face lamps maximum	Face lamps minimum	Face lamps plus	Face lamps minus	Face lamps plus	Face lamps minus
	Facial tanner maximum	Facial tanner minimum	Facial tanner plus	Facial tanner minus	Face lamps plus	Face lamps minus
LED	LED on	LED off	LED maximum	LED minimum	LED plus	LED minus
Air conditioning	Air conditioning on	Air conditioning off				
Temperature	Temperature maximum	Temperature minimum	Temperature plus	Temperature minus		
AROMA	Aroma on	Aroma off				
AQUA FRESH	Aqua Fresh off	Aqua Fresh face on	Aqua Fresh body on	Aqua Fresh on completely		
VOICE GUIDE	Voice Guide on	Voice Guide off				
Volume	Volume plus	Volume minus				
Song	Song plus	Song minus				
Music source		Internal music on	Own music on	Studio music on		
		Music on				

4 Cleaning and maintenance



4.1 Safety instructions when undertaking cleaning or maintenance work

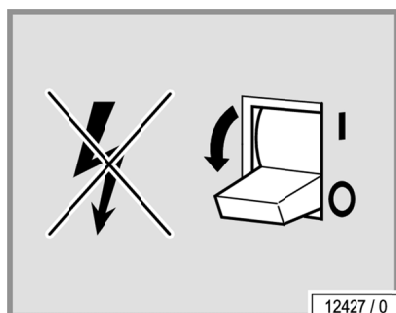
DANGER!



Electricity throughout entire device!

Personnel danger due to electric shock or electric burns.

- Before beginning work, disconnect all of the power connections from mains voltage.
- Secure all of the disconnected connections against accidental reactivation.
- Check that the device is disconnected from mains voltage.
- All of the work and electrical connections must comply with the national regulations of the country in which the device is being operated (e.g. the VDE regulations in Germany) and must be undertaken by appropriately trained specialists.



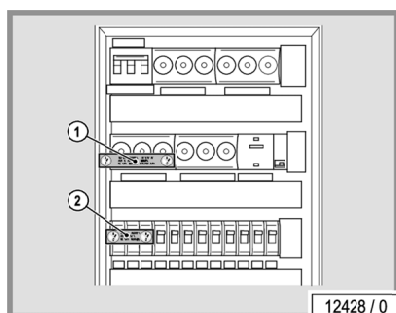
12427 / 0

If work is to be performed on the devices, they must be deenergized. That means that all live cables must be switched off.

Switching off the device alone is insufficient, as certain points may remain energized. Therefore, switch off fuses before performing any work and – if possible – remove them.

Accidental reactivation can result in serious accidents. Immediately after deenergizing, secure all switches or fuses used for deenergizing against being switched on again.

- Lock the fuse box with a padlock.



12428 / 0

In case of circuit breakers which cannot be unscrewed, a strip of adhesive tape may be applied over the actuation lever with the wording 'Do not switch, danger!' (1 + 2).

A prohibition sign with the text:

'Work in progress!'

'Place:

'Sign may only be removed by:

must always be securely mounted immediately.



4.2 Faults

Error codes are output to the display to simplify troubleshooting:

- If a fault occurs, the error code appears in the display.
- If several faults occur, the fault messages are displayed alternately.
- The error is acknowledged by pressing the **START/STOP**-button.
- If the error cannot be cleared, inform Customer Service - see page 2.

More detailed information regarding the error description and solutions can be found in 'Error Codes', (Order No. 1019969-..).

4.3 Cleaning

DANGER!



Infections can be spread by skin contact!

All objects/device parts that could come into contact with the user during tanning must be disinfected after every tanning session:

- Acrylic glass panel
- Handles and control panel
- Protective goggles
- Adjustable air nozzles



NOTE:

Adhere to the stipulated times to ensure thorough disinfection. Follow the manufacturer's instructions for use.

4.3.1 Cleaning the surfaces

Acrylic glass surfaces



WARNING!



Do not rub with a dry cloth – danger of scratching!

Failure to comply invalidates any warranty claims.

- For the fast, hygienic and proper cleaning of acrylic glass surfaces, use specially developed cleaning agents.
- Concentrated disinfectants or solvents (e.g. Lysoform, ethyl alcohol or other fluids containing alcohol) **must never** be used for cleaning.

Acrylic glass panels unusable due to soiling!

Soiling on the panels is burned in by the hot lamps and results in the long term in unserviceable panels.

- Remove fingerprints and other soiling carefully.



Plastic surfaces

For cleaning the remaining painted and unpainted plastic surfaces, it is best to simply use warm water and a leather cloth. Never use aggressive cleaning agents containing alcohol or essential oils. These may lead, in the long run, to damages not covered by the guarantee.

During cleaning a slight discolouration of the leather cloth by the rubber seals must be expected for production-related reasons.

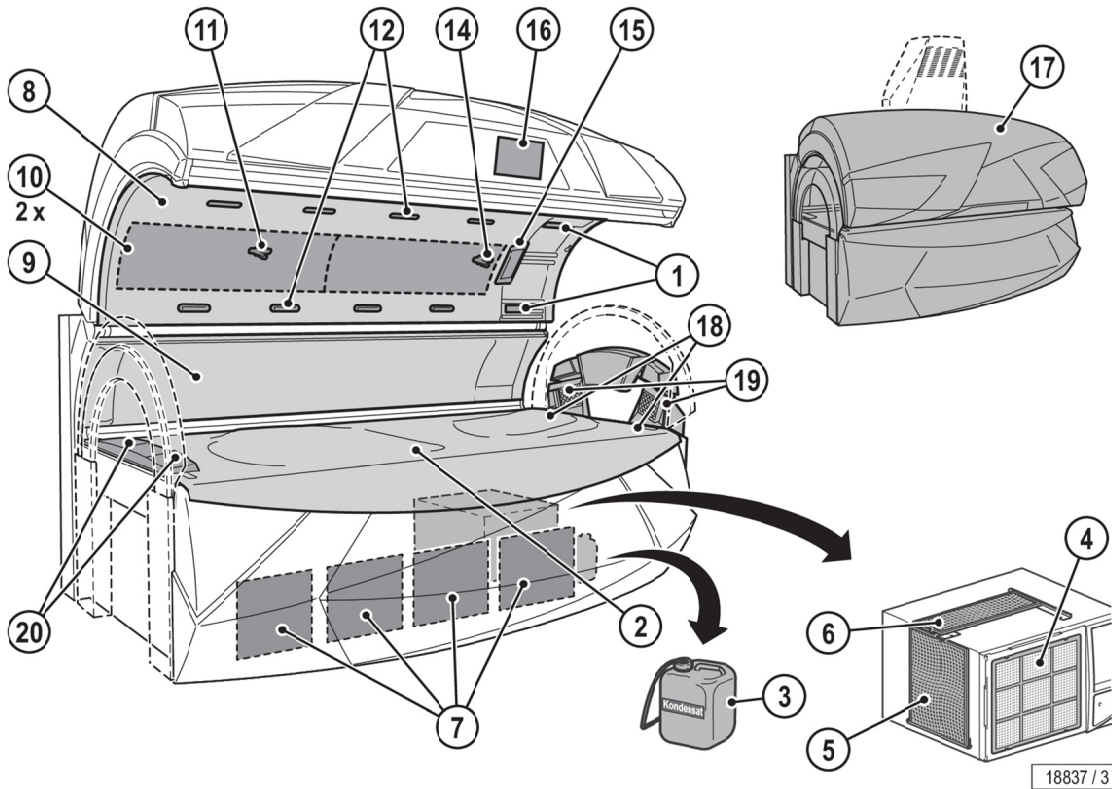
Prevent damage to the acrylic glass and plastic surfaces.

- Remove rings, watches, bracelets etc. before starting cleaning work.

4.3.2 Filter panels and lamps

- Low pressure lamps can be cleaned with a damp cloth and without additional cleaning agents where necessary.
- High pressure lamps can be cleaned with ethyl alcohol where necessary.

4.4 Cleaning plan



18837 / 3

Component	Interval			Activity	See page
	After each tanning session	When necessary	50 h		
1 Adjustable air nozzles / AROMA	X			Clean and disinfect	42
2 Acrylic glass panel	X			Clean and disinfect	43
3 Condensation tank		X		Empty	66
15 INTERIOR DISPLAY (TOUCH)	X			Clean and disinfect	42
16 PROFESSIONAL SETUP MANAGER PLUS (TOUCH)	X			Clean and disinfect	42
8, 9, 17 Surfaces		X		Clean	43
Protective goggles	X			Clean and disinfect	42
11, 14 Nozzles AQUA / AROMA SYSTEM		X		Clean	42
12 Body cooling air nozzles		X		Clean	42
5, 6 Filter			X	Remove and clean filter	66
4 Filter mat		X		Clean	66
7 Filter			X	Remove and clean filter	63
10 Filter mats		X	X	Clean	64
18 Air intake opening		X		Remove and clean filter	65

Component		Interval	Activity	See page
		After each tanning session		
		When necessary		
		50 h		
19	Filter mats	X	Remove and clean filter	65
20	Body cooling air nozzles feet end	X	Remove and clean filter	42

**INFORMATION:**

When the cleaning mode is activated in PROFESSIONAL SETUP MANAGER PLUS and the run-on time of the device fan has finished, cleaning must be confirmed after every tanning session by pressing the START/STOP button.

4.5 Maintenance

Maintenance and care play a major role in deciding whether the device meets the requirements placed on it in a satisfactory manner. Compliance with the specified maintenance intervals and the careful conducting of the maintenance and care work are therefore absolutely necessary.

The current operating hours of maintenance parts can be called up in service mode (see 'PROFESSIONAL SETUP MANAGER PLUS'), order no. 1020179-..

We point out that the device must be subjected to regular inspections by our customer service or an approved specialized company every 12 months (from commissioning) to maintain its proper condition!

Inspections and maintenance work that has been carried out must be entered in the equipment, operating and maintenance booklet (order no. 1019967-..).



4.5.1 Acrylic glass

WARNING!



Cosmetics may cause cracks to form on the surface!

Over the long-term cosmetics or sunscreens cause damage (e.g. crack formation on the surface).

- Ensure that cosmetics and sunscreens are removed before tanning.

The acrylic glass panels for the tanning devices are produced of acrylic glass developed especially for this application. The acrylics used feature a particularly high UV permeability and resistance, as well as an easy-care, hygienic surface that is gentle on the skin.

The acrylic glass panels are formed to device-specific shapes in a technically complex production process. Despite state-of-the-art production know-how, the presence of minor spots, air bubbles or streaks in the acrylic panels is unavoidable. In addition, hairline cracks can occur on the acrylic glass panel during operation.

These occurrences are material-related and are unavoidable in processing. However, they have no significant effect on use and are therefore not accepted as defects.

Over the course of time the acrylic glass panels becomes more translucent as a result of usage and must be replaced by customer-service personnel on a regular basis.

4.5.2 REMOTE ACCESS

Being the studio operator, you have the possibility to access your Prestige Lightvision SLP via REMOTE ACCESS. You can call up device information, e.g. operating hours and conduct a device configuration via remote access. In case of service, the technical services can carry out a remote diagnosis online via REMOTE ACCESS.



NOTE:

More information on registration and use as well as a REMOTE ACCESS user manual (order no. 1019772-..) can be found on the homepage of Globalservice: www.jk-globalservice.de.

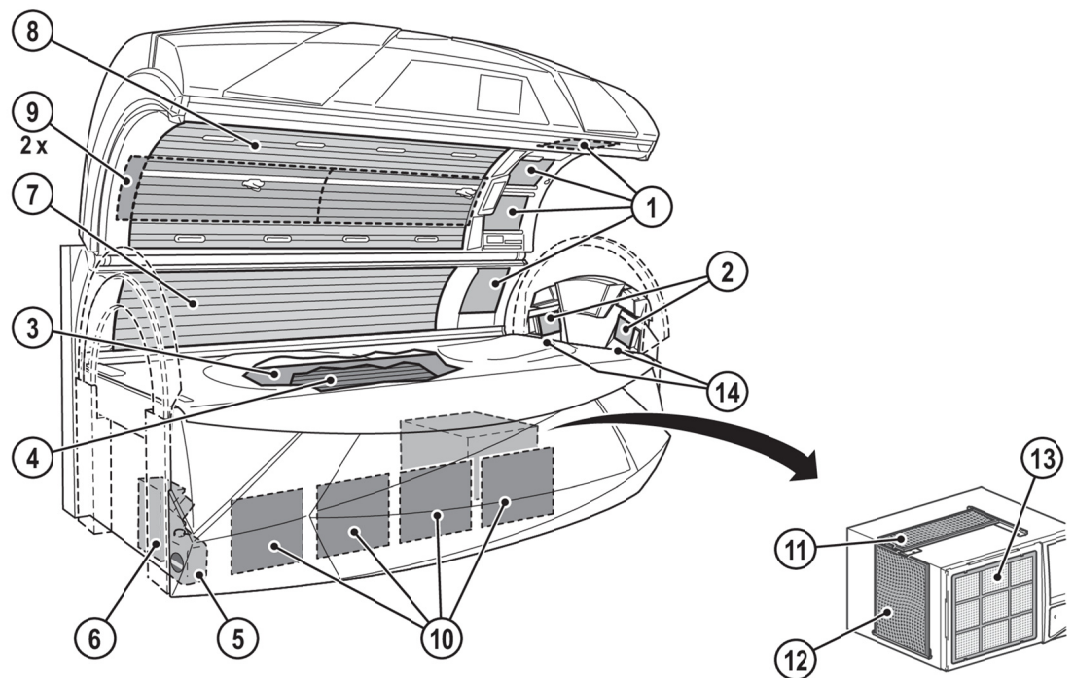
4.6 Maintenance plan

WARNING!



Only use **genuine spare parts** of the same type! If other parts are used then the device no longer complies with the conformity declaration and may not be operated any longer!

Any liability for damage or injury proven to be the result of the use of non-genuine spare parts is excluded.



18834 / 1

Component	Interval							Activity	See page
	When necessary	300 operating hours	500 operating hours	800 operating hours	1000 operating hours	3000 operating hours / 2 years	8000 operating hours / 4 years		
5	AQUA SYSTEM	X						Replace	69
6	AROMA tank		X					Replace	69
2	Compact lamps, shoulder tanner			X				Replace	61
1	Low pressure lamp, facial tanner			X				Replace	60
1	High pressure lamps, facial tanner				X			Replace	59, 60
4	Low pressure lamps, base					X		Replace	58
7	Low pressure lamps, side section					X		Replace	59
8	Low pressure lamps, canopy					X		Replace	60
1	Starter, low pressure lamps, facial tanner					X		Replace	60
2	Starter, compact lamps, shoulder tanner					X		Replace	61
1	Filter panels, facial tanner						X	Visual inspection	59
1	Filter panels, facial tanner						X	Replace	59
2	Panels, shoulder tanner						X	Visual inspection	61



Component		Interval							Activity	See page
		When necessary	300 operating hours	500 operating hours	800 operating hours	1000 operating hours	3000 operating hours / 2 years	8000 operating hours / 4 years		
3	Partition						X		Replace	46
9	Filter mat					X			Replace	64
10	Filters						X		Replace	63
11	Filters						X		Replace	66
12	Filters						X		Replace	66
13	Filter mat						X		Replace	66
14	Filter mats					X			Replace	65

Maintenance performed by authorized, trained and qualified staff**WARNING!****Danger to persons from maintenance work that has not been carried out!**

If maintenance work is not carried out, it can lead to material damage or personal injuries!

- Maintenance work may only be carried out by personnel who have been authorized, trained and qualified by JK Products & Services, Inc.!
- The operator is responsible for compliance with the maintenance intervals!

The maintenance work must be carried out in accordance with checklist 1019858-.. by a JK Factory Certified Technician at the manufacturer or by personnel who have been authorized, trained and qualified by the manufacturer.

The correctly carried out maintenance work must be entered and confirmed in checklist 1019858-..

The maintenance work must be carried out at the following intervals:

- Every 1500 hours
- Annually or every 2000 hours, whichever is sooner.
- Every 3000 hours
- Every 5000 hours
- After 10 years or 20,000 hours, whichever is sooner.

Once the age of the device reaches ten (10) years from the date of manufacture, its condition must be assessed by a JK-International GmbH, Division JK-Global Service Certified Technician before use of the device can be continued.

Failure to have this device assessment performed may result in personal injury or property damage.

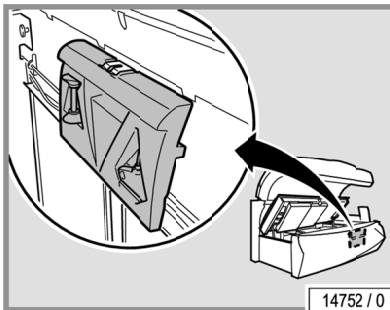
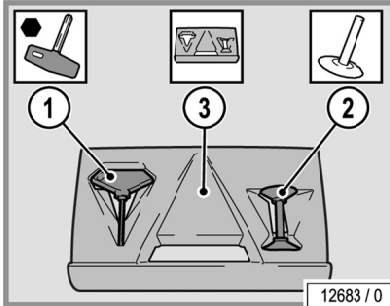
Any liability is excluded if use of the device continues ten (10) years after the date of manufacture, without the "condition assessment" having been performed.



4.7 Cleaning and maintenance work preparation

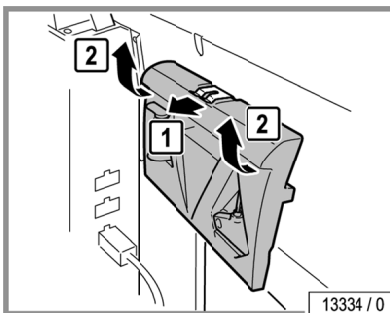
4.7.1 Service kit

1. Allen key
2. Suction cup for filter panels, acrylic glass panel and canopy panel
3. Scratch prevention for the entry area (support cushion for the canopy)

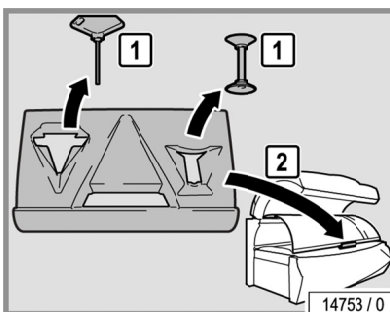


The service kit is fitted on the inside of the front panel.

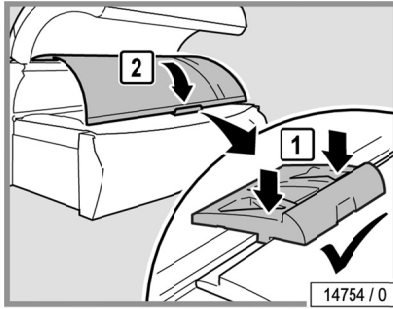
- Opening the bed base: see page 53.



- Remove service kit from support.



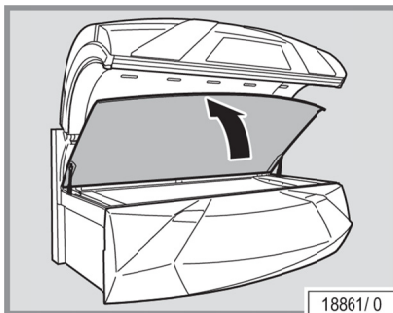
- Remove the Allen-key and suction cup.



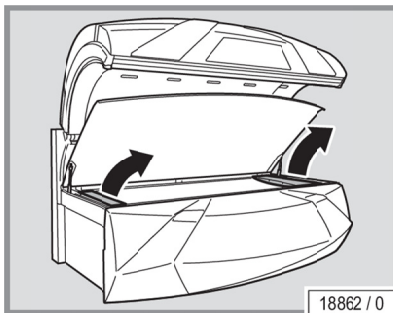
- Use the cushion as scratch prevention when opening the canopy panel.



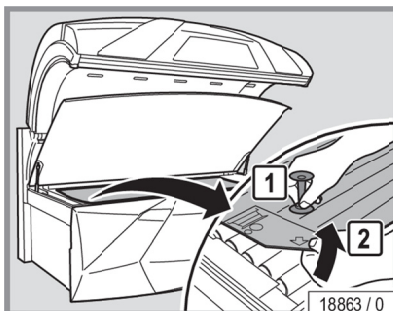
4.7.2 Lift up the acrylic glass panel and remove the partition



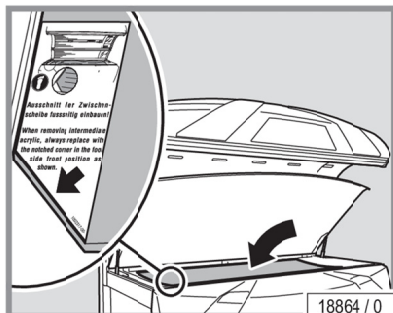
- Lift the acrylic glass panel up to the stop.
The acrylic glass panel will automatically be held in place.



- Remove the lamp covers at the head and foot ends.



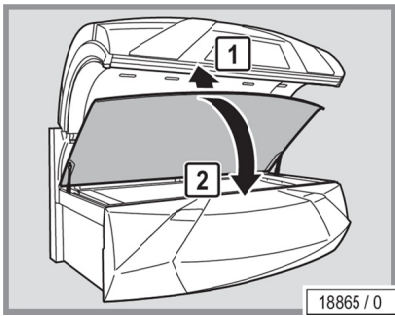
- Raise the partition with the suction cup.
- Remove the partition.



The assembly is the same process in reverse order.

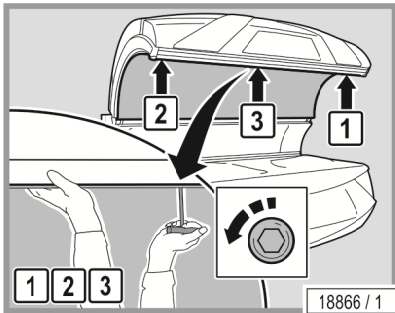
When assembling the device please note:

- You must ensure that the recesses are at the foot end when you fit the partition.

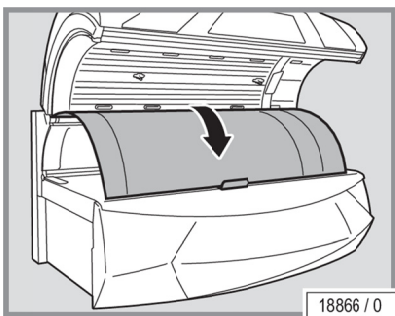


- Lift the partition up slightly and then close it.

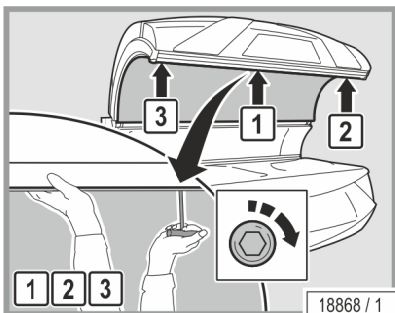
4.7.3 Remove the canopy panel



- Turn the locks through 90°: first the outer locks, then the lock in the middle.
- Support the canopy panel with one hand so that it does not fall down.



- Carefully lay the panel aside on the scratch protection (service kit).



The assembly is the same process in reverse order.

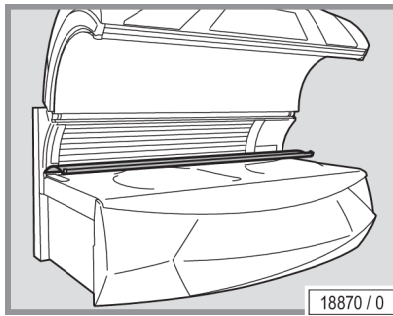
When assembling the device please note:

- Support the canopy panel with one hand so that it does not fall down.
- Re-lock the locks: first the lock in the middle, then the outer locks.

4.7.4 Remove the side section panel

- Turn the locks through 90°.





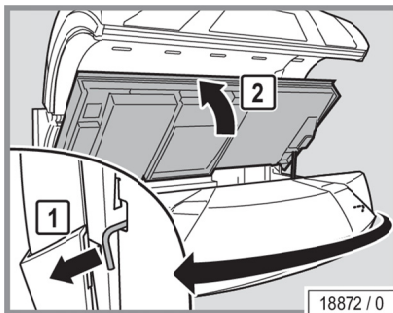
- Open the panel and lay it down carefully.



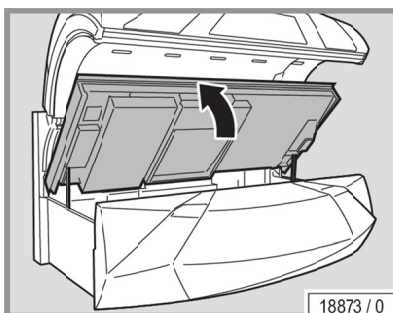
When assembling the device please note:

- Re-lock the locks.

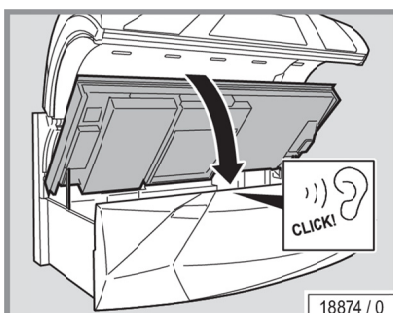
4.7.5 Open the bed base



- Press the bed base gently downwards.
- Release the lock at the head end.



- Lift up the bed base.



- Close the bed base. You should hear the bed base click into place.



4.8 Instructions for replacing the lamps

DANGER!



Danger of burns from hot lamps and surfaces!

Finger and hands may get burned when replacing lamps.

- Before carrying out maintenance work, wait until the device has cooled down sufficiently.



NOTICE:

Small quantities of mercury can escape if the bulb/lamp glass breaks! Please comply with the following instructions:

- Immediately disconnect the device from the mains power.
- Children must leave the room immediately.
- Ventilate the room for at least 15 minutes.
- Put on disposable gloves.
- With the window open: Collect the glass shards and escaped mercury in a sealable container.
- Bring the container to a collection site for waste lamps.

4.8.1 NFC: Lamp replacement

Each new lamp set must be activated with the accompanying NFC lamp card. Each NFC lamp card can only be used one time, then it is invalid.

The lamp set must be installed first, then the lamps have to be activated with the NFC lamp card. For this purpose, the operating hours must be reset.

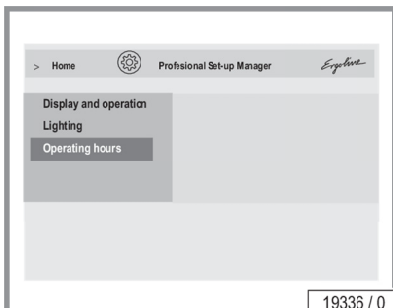
Resetting the operating hours

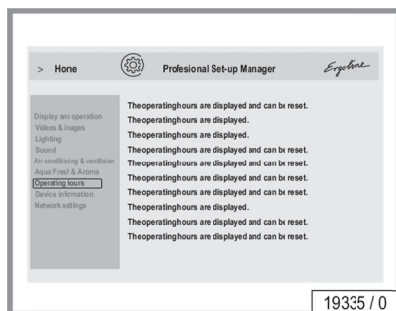


NOTE:

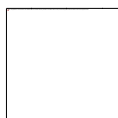
To reset the operating hours of the lamps, you need access to the PROFESSIONAL SETUP MANAGER PLUS.

- Go to PROFESSIONAL SETUP MANAGER PLUS.
- Activation in the menu OPERATING HOURS.





- Hold the NFC lamp card against the NFC point.



The middle point of the NFC point is green:
The operating hours of the lamps are reset to 0.



NOTE:

Both NFC lamp cards must be activated. Hold the NFC lamp card of lamp set type A and the NFC lamp card of lamp set type B against the NFC point one after another.

4.8.2 Low pressure lamps

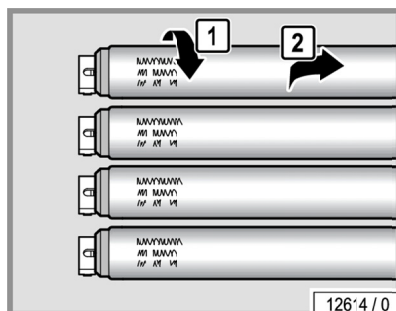
DANGER!



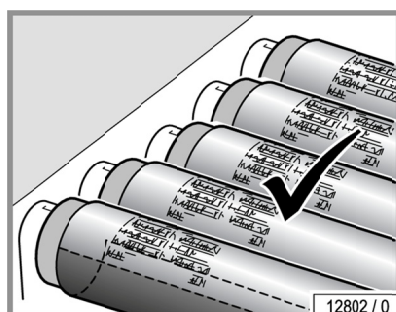
Danger of burns from hot lamps and surfaces!

Finger and hands may get burned when replacing lamps.

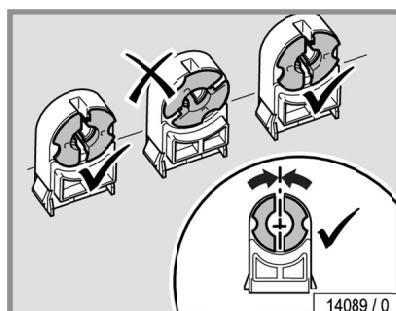
- Before carrying out maintenance work, wait until the device has cooled down sufficiently.



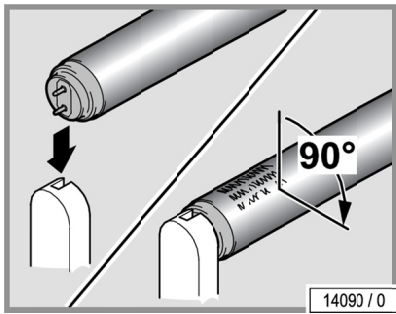
- Replace faulty low-pressure lamps immediately.
- Always replace the entire set of lamps after the specified operating time.
- Turn 90° and carefully remove from the socket.



- Low pressure lamps possess a reflector which directs the light outwards. The lamps must be mounted in such a way that the rear side of the reflector is located on the device side.



- Push the pins vertically into the socket from above.



- Turn the lamp 90°.
The lettering must be oriented towards the outside (i.e. towards the tanning room or towards the user).

4.8.3 Starter

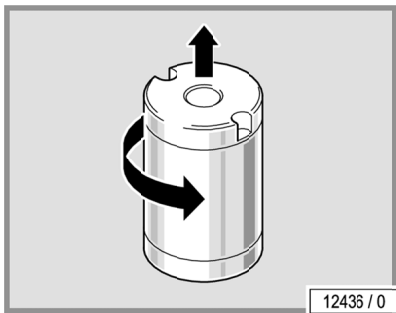
- Replace faulty starters immediately.

You can recognize a faulty starter by the blackened ends of the (UV) low pressure lamps or when the (UV) low pressure lamps can no longer be started.

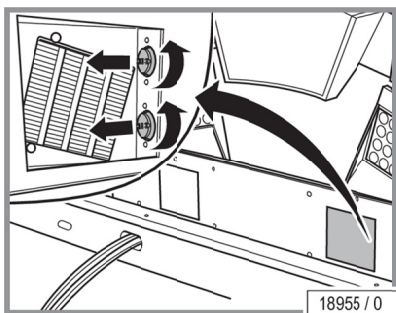
Operating a (UV) low pressure lamp with a faulty starter significantly shortens its service life. The (UV) low pressure lamp loses power and may begin to flicker under certain circumstances.

The starters are located in either one of the two lamp sockets or become visible when the (UV) low pressure lamps are removed.

- Turn 90° and carefully remove from the socket.



Changing the starter in the compact lamps in the shoulder tanner



The starters are located under the right shoulder tanner.

- Turn 90° and carefully remove from the socket.

4.8.4 High pressure lamps and filter panels

High-pressure lamps are used in the facial tanners.



DANGER!



Danger of burns from hot lamps and surfaces!

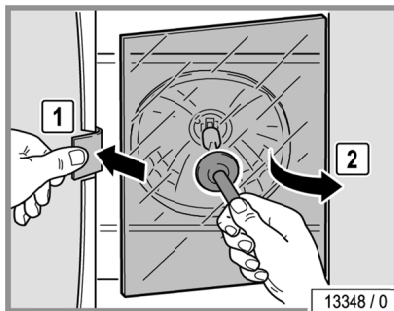
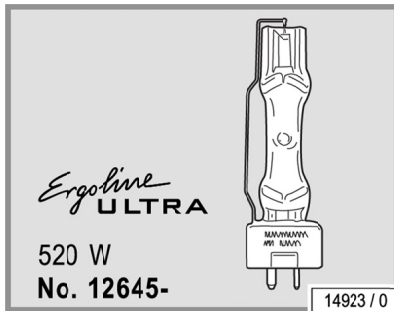
Finger and hands may get burned when replacing lamps and filter panels or cleaning reflectors.

- Before carrying out maintenance work, wait until the device has cooled down sufficiently.

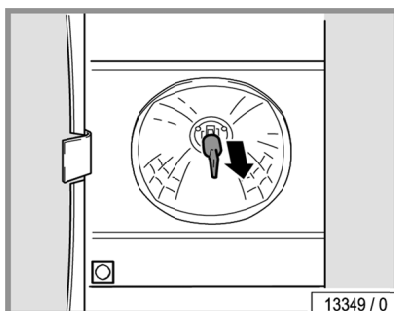
Fire hazard due to overheated lamps!

Non-approved high pressure lamps can explode. Hot lamp components can set other parts on fire. People can be killed or severely injured due to smoke inhalation and fire.

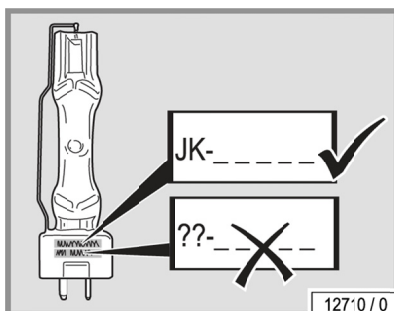
- Only fit the high pressure lamps specified by the manufacturer.
- Clean the inside of the device regularly. Dust particles are flammable!



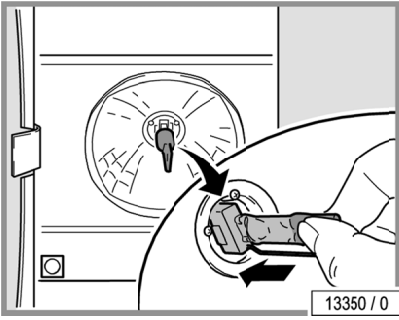
- Open the clamps.
- Lift the filter panel, pull it out of the guide and remove it.



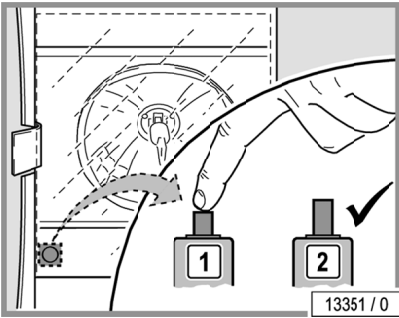
- Unplug the lamps.
- Clean the reflector.



- Only utilize original lamps.

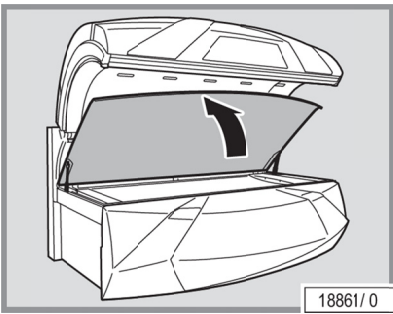


- Only touch new lamps in the handling zone.



- Test the function of the safety switch.
The safety switch ensures that the device switches off in the event of a faulty filter panel.
- Press the switch.
If the switch springs back automatically then it is functional.
- Replace the filter panel.

4.9 Cleaning or replacing lamps in the base

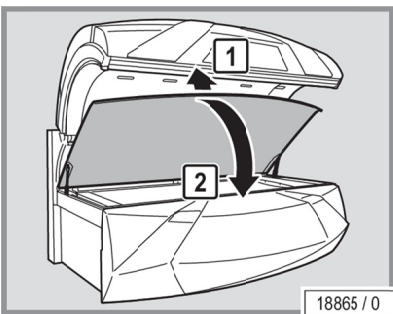


Lift up the acrylic glass panel and then remove the lamp covers and the partition: see page 51.

Replacing lamps: see page 55.



- Please maintain the correct order of the SMART SUN low pressure lamps and low pressure lamps.
a1: SMART SUN low pressure lamps
a2: Low pressure lamps



The assembly is the same process in reverse order.

When assembling the device please note:

- You must ensure that the recesses are at the foot end when you fit the partition.
- Lift the partition up slightly and then close it.

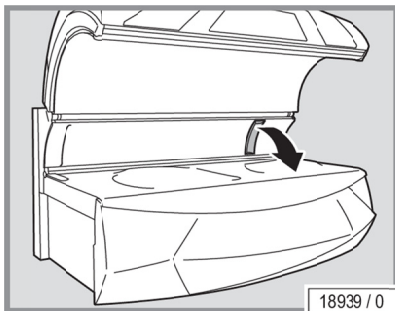
4.10 Cleaning or replacing the lamps in the side section



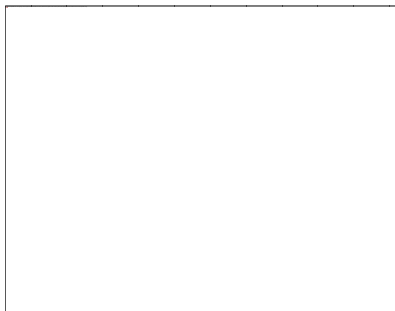
- Removing the side section panel: see page 52.



- Please maintain the correct order of the SMART SUN low pressure lamps and low pressure lamps.
a1: SMART SUN low pressure lamps
a2: UV low pressure lamps



- Remove the lamp cover.
Replacing lamps: see page 55.



When assembling the device please note:

- Re-lock the locks.

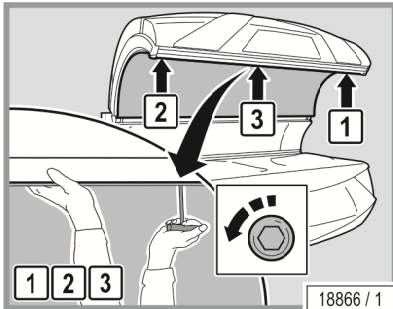


4.11 Cleaning or replacing lamps and filter panels in the canopy

- Removing the canopy panel: see page 52.

The following components listed in the maintenance plan are fitted in the canopy:

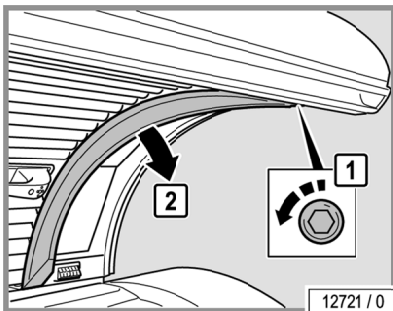
- 1.80 m low pressure lamps
- Facial tanner low pressure lamps and the associated starters
- Facial tanner high pressure lamps
- Facial tanner filter panels



- Please maintain the correct order of the SMART SUN low pressure lamps and low pressure lamps.
a1: SMART SUN low pressure lamps
a2: UV low pressure lamps

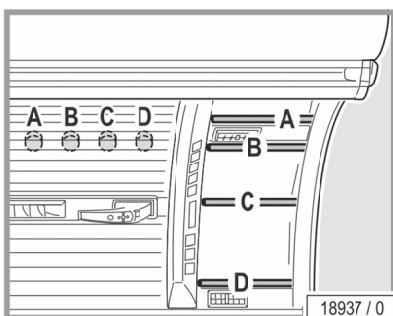


- Remove screw and place the lamp cover carefully on top of the canopy panel.



The facial tanner's low pressure lamps must be removed first so that the high pressure lamps can be changed.

- Remove the lamps.



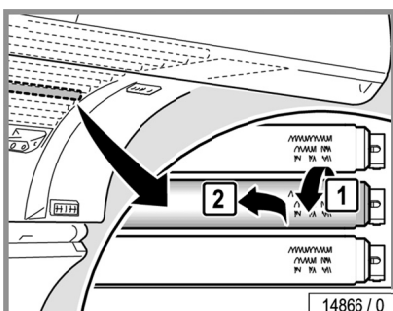
- Remove the ninth low-pressure lamp in the canopy so that you can access the facial tanner's low-pressure lamp starters.

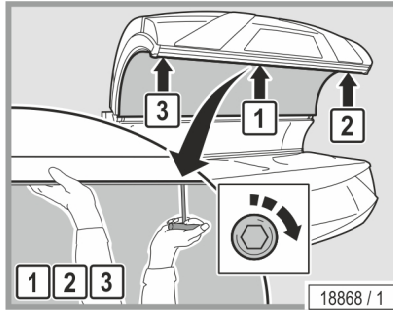
Replacing lamps:

Low pressure lamps: see page 55.

High pressure lamps and filter panels: see page 57.

Replacing starters: see page 56.





The assembly is the same process in reverse order.

When assembling the device please note:

- Support the canopy panel with one hand so that it does not fall down.
- Re-lock the locks: first the lock in the middle, then the outer locks.

4.12 Cleaning or replacing the low-pressure lamps in the shoulder tanner

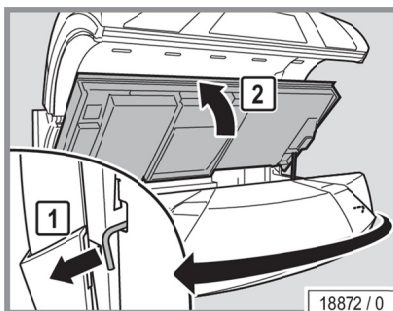
DANGER!



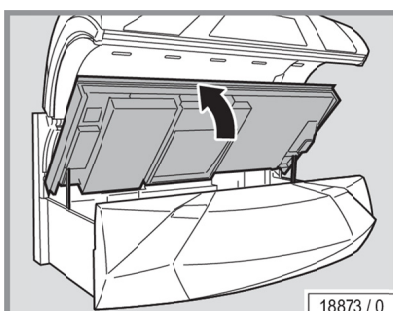
Risk of burns from hot lamps and surfaces!

You may sustain burns to your fingers and hands when replacing the lamps and panels.

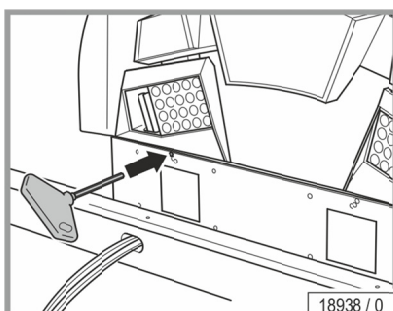
- Leave the device to cool down before performing any maintenance work.



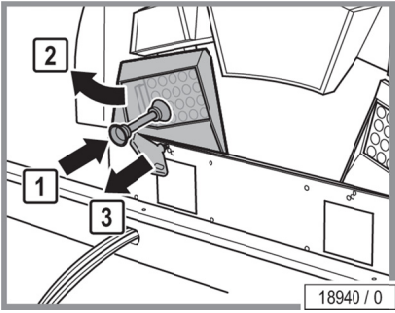
- Press the bed base gently downwards.
- Release the lock at the head end.



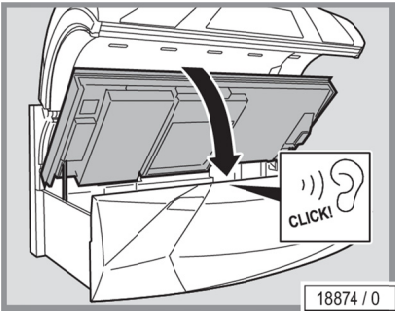
- Lift up the bed base.



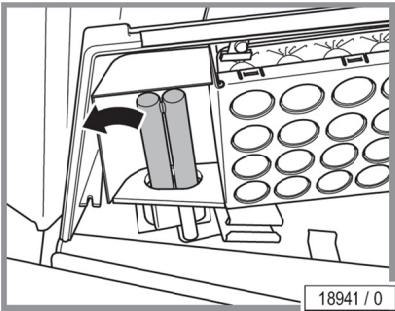
- Insert the Allen key (from the service kit) into the service opening.



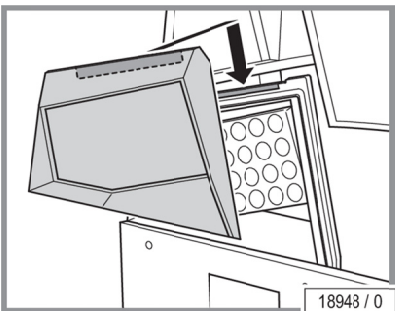
- Use the suction cup to release the cover and remove it.
- Remove the Allen key from the service opening.



- Close the bed base. You should hear the bed base click into place.



- Clean or replace the low-pressure lamp.

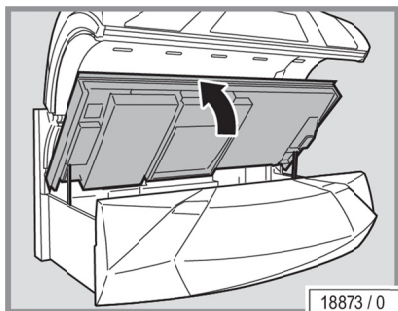


- Replace the top part of the cover first and press it down slightly. The edge of the panel must sit on the felt strip.

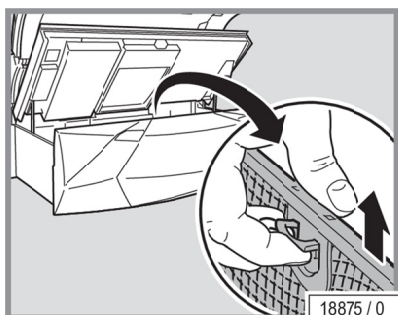


- Insert the bottom part of the cover until you hear it click into place.

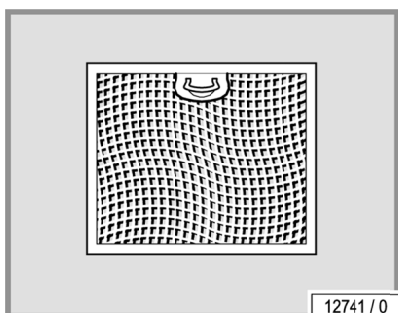
4.13 Cleaning the filter in the base



- Opening the bed base: see page 53.

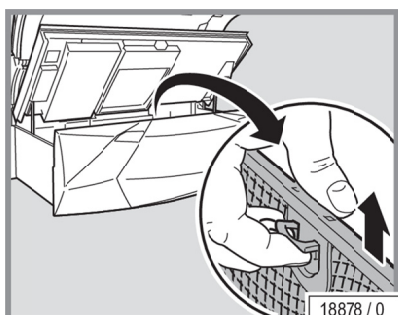


- Remove the filters.



- Cleaning the filters when moist or dry.

Dry cleaning: Vacuum cleaner (depending on the degree of soiling)
Moist cleaning: Use water and detergent or put in a dish-washer



- Refit the cleaned and dried filters.
- Close the bed base. You should hear the bed base click into place.

WARNING!

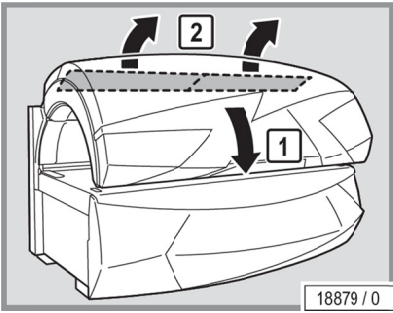


The device may be damaged by moisture!

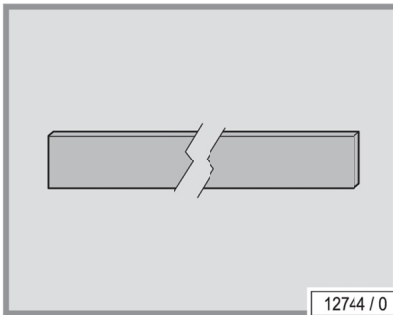
The cleaned filters must be dry before they are replaced.



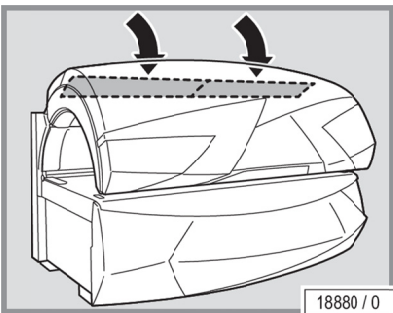
4.14 Cleaning the canopy filter mats



- If necessary, cover the canopy in order to prevent the paint from being scratched.
- Remove the filter mats fitted at the back of the canopy.



- Dry or moist clean the filter mats or replace with new ones.
Dry cleaning: Vacuum cleaner (depending on the degree of soiling)
Moist cleaning: Water and detergent
- **Do not clean in the dish-washer!**



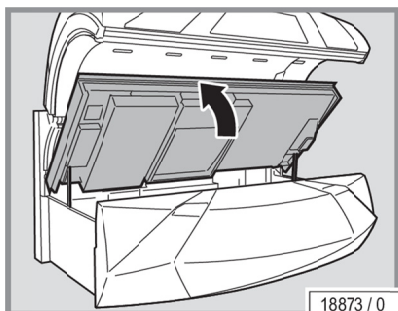
WARNING!



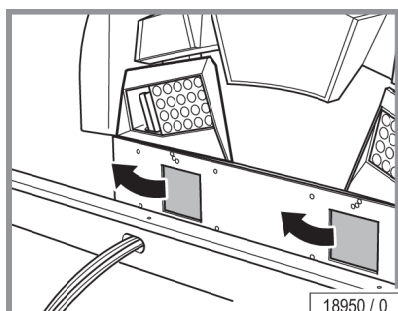
The device may be damaged by moisture!
The cleaned filters must be dry before they are replaced.

- Refit the cleaned and dried filter mats.

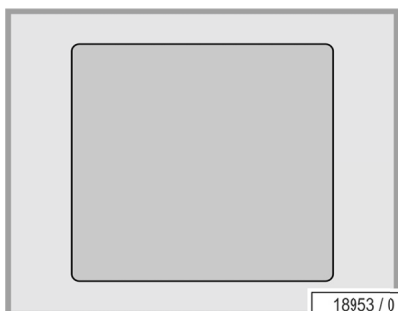
4.15 Cleaning filter mats in the shoulder tanner



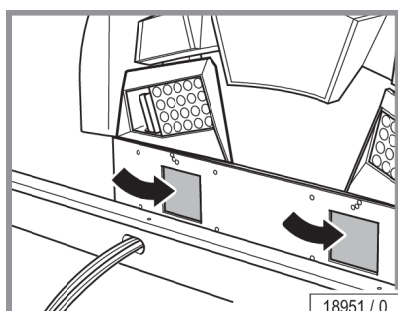
- Lift up the bed base.



- Remove the filter mats.



- Dry or moist clean the filter mats or replace with new ones.
 Dry cleaning: Vacuum cleaner (depending on the degree of soiling)
 Moist cleaning: Water and detergent
- **Do not clean in the dish-washer!**



- Replace the filter mats.



4.16 Air conditioning: Empty the condensation tank and clean the filter

WARNING!

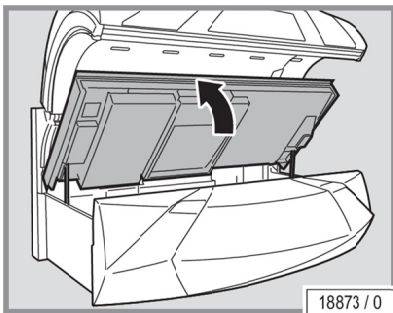


Damage to the device through soiled filters and cooling fins!

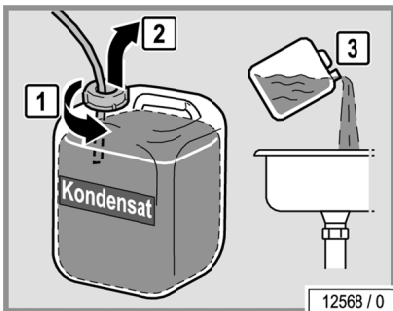
Regularly check the filter grill and cooling fins on the air conditioning system and clean if necessary.

We recommend using the specially manufactured fin comb, art-no. 15720470, to clean the cooling fins.

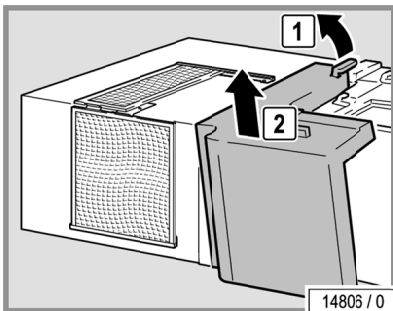
- Opening the bed base: see page 53.



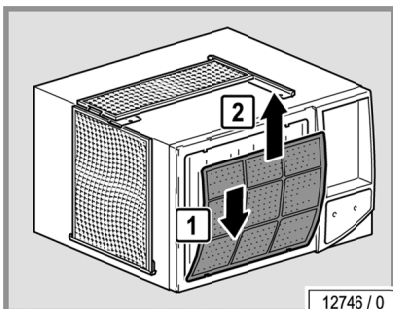
- Bring the condensation tank forwards.
- Disconnect the hose on the condensation tank.
- Empty the condensation tank.

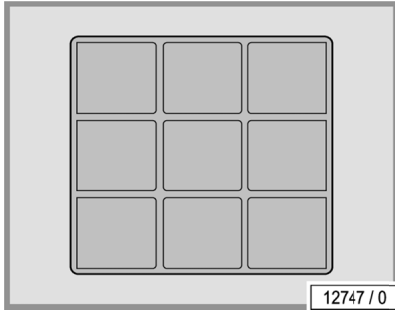


- Remove the cover.



- Remove the filter from the holder.

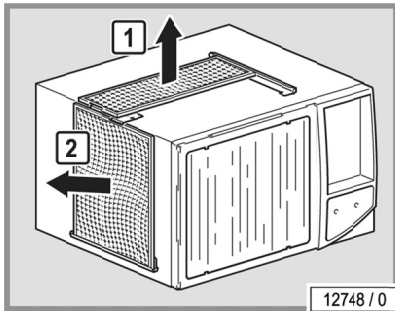




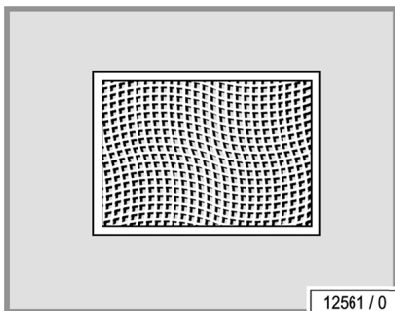
- Cleaning the filters when moist or dry.

Dry cleaning: Vacuum cleaner (depending on the degree of soiling)
Moist cleaning: Water and detergent

- **Do not clean in the dish-washer!**

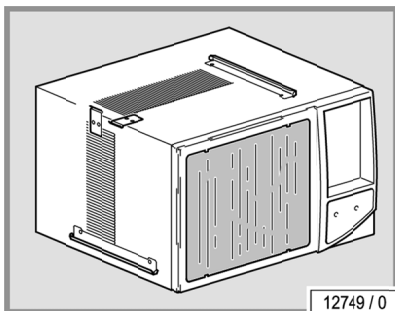


- Remove the filter from the holder.

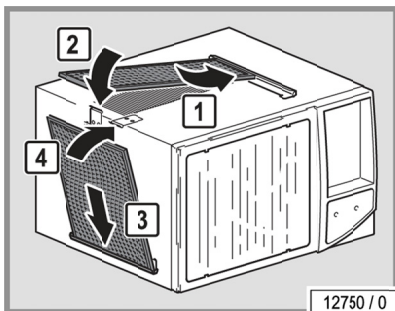


- Cleaning the filters when moist or dry.

Dry cleaning: Vacuum cleaner (depending on the degree of soiling)
Moist cleaning: Use water and detergent or put in a dish-washer



- Use a fin comb to clean the air conditioning's dirty cooling fins.

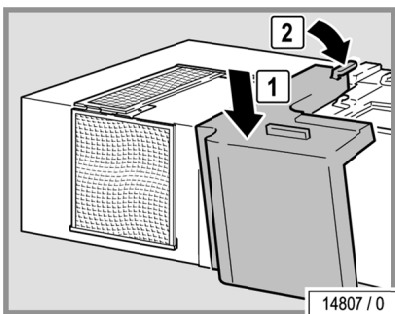
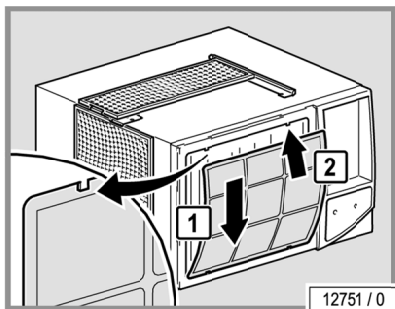


- Refit the cleaned and dried filters.
- Ensure that the filters are correctly positioned in the holder.

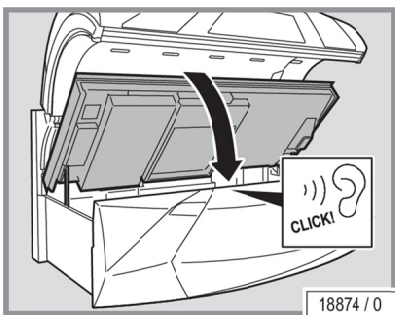
WARNING!



The device may be damaged by moisture!
The cleaned filters must be dry before they are replaced.



- Attach the cover.



- Connect the condensation tank to the hose.
- Refit the condensation tank.
- Close the bed base. You should hear the bed base click into place.

4.17 AQUA / AROMA system maintenance

The AQUA SYSTEM function sprays a fine mist of AQUA SOLAR WITH SKIN+ ADDITIVE into the interior of the device for body cooling (see 'AQUA SYSTEM PRODUCT INFORMATION', order no. 1011201-..).



DANGER!



Customer health hazard!

Water that has been contaminated with bacteria can cause skin rashes and other allergic reactions in device users.

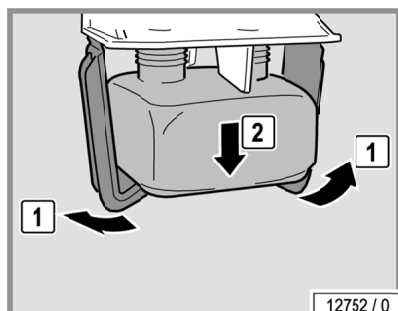
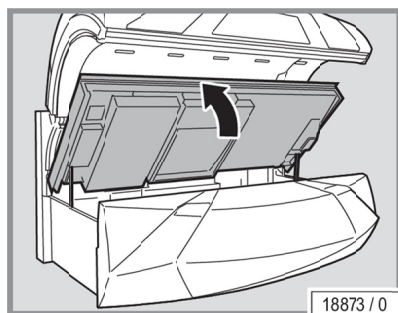
- Therefore you must never fill the AQUA SYSTEM canister with tap water or other liquids.
- Only replace the AQUA SYSTEM canister with a genuine canister.
- Do not add any liquid that remains in the old canister to the new canister!
- Ensure that the maximum temperature specified is not exceeded during transport and storage.
- Note the expiry date on the canister.

The AQUA / AROMA SYSTEM also includes the fragrance 'RELAX' which is distributed via the head nozzles as well as in the cabin.

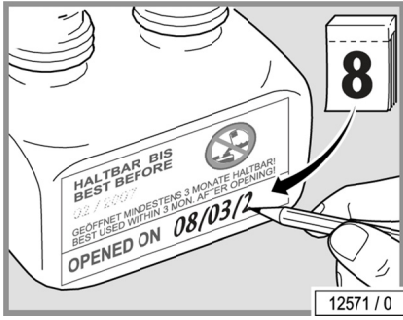
Other fragrances are also available. Contact JK-International GmbH, Division JK-Licht for further details (see page 2).

4.17.1 Changing the AROMA canister

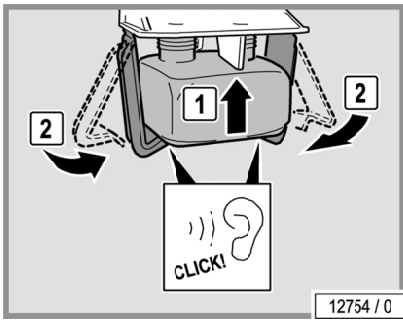
- Opening the bed base: see page 53.



- Remove the AROMA canister.

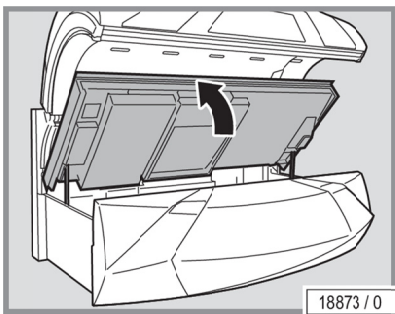


- Unscrew the lid on the new canister.
- Write the date on the canister.

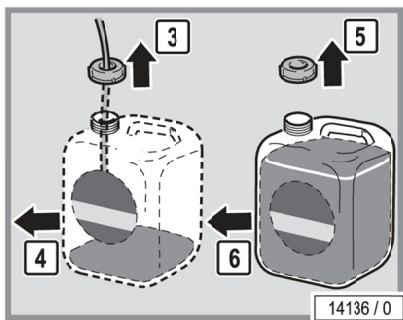


- Fit the canister in the holder.
- Close the bed base. You should hear the bed base click into place.

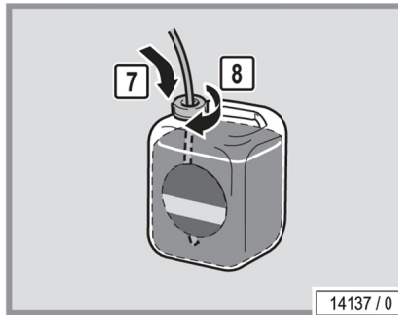
4.17.2 Replacing the AQUA SYSTEM canister



- Opening the bed base: see page 53.



- Remove the canister.
- Unscrew the lid on the new canister.
- Remove the lid with the hose from the old canister.



- Screw the lid with the hose onto the new canister.
- Push the hose well down so that it touches the bottom of the canister.
- Put the canister back in the device.
- Close the bed base. You should hear the bed base click into place.



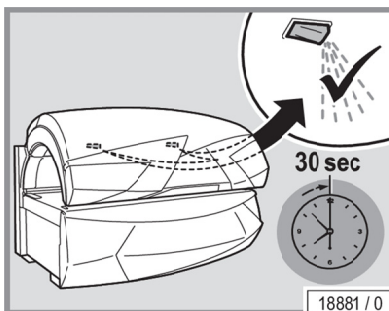
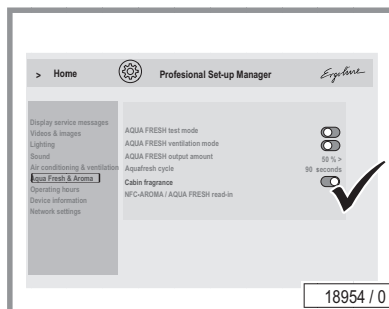
Venting



INFORMATION:

To ventilate, access to PROFESSIONAL SETUP MANAGER PLUS is required.

- Go to PROFESSIONAL SETUP MANAGER PLUS.
- Activate the fill mode in the AQUA FRESH & AROMA menu.



- Close the canopy.

The system will now be ventilated for 30 seconds. The AQUA SYSTEM liquid will be released from the nozzles during this period.

- Then test the AQUA SYSTEM in test mode. In test mode, the nozzles spray for 3 seconds. Repeat the ventilation process if it does not work.

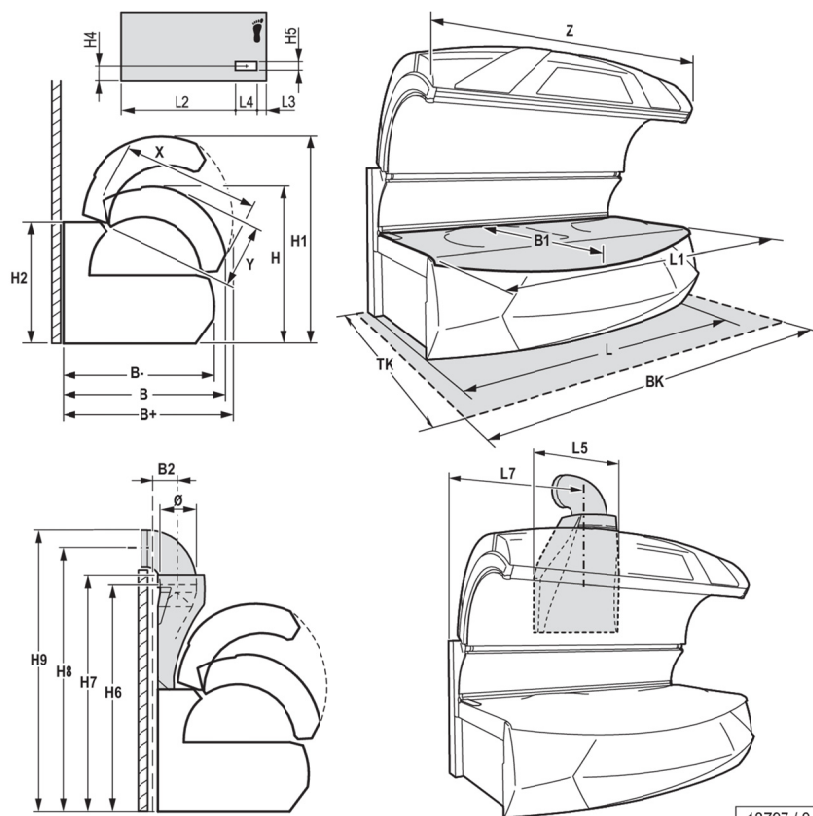
5 Technical data



5.1 Power, connection rating and noise level

Prestige Lightvision SLP			
Power consumption rating with Climatronic:	16800 W		
Rated frequency:	50 Hz		
Rated voltage:	400–415 V 3N~		230–240 V ~3
Rated fuses:	3 x 35 A (inactive)	or	3 x 50 A (inactive)
Connecting line:	H05VV-F 5G 4 mm ² (scope of delivery)		H05VV-F 4G 10 mm ²
Noise level 1m away from device:	62.9 dB(A)		
Noise level inside the device:	<70 dB(A)		
Load on the acrylic glass panel:	max. 135 kg		
Weight:	680 kg		

5.2 Dimensions



18797 / 0

Prestige Lightvision SLP:

B+ =	1555 mm	H =	1510 mm
B =	1550 mm	H1 =	1980 mm
B- =	1500 mm	H2 =	1106 mm
B1 =	1220 mm	H4 =	450 mm
B2 =	205 mm	H5 =	56 mm
L =	2415 mm	H6 =	1879 mm
L1 =	2200 mm	H7 =	2002 mm
L2 =	1756 mm	H8 =	2215 mm
L3 =	235 mm	H9 =	2360 mm
L4 =	243 mm	Ø =	300 mm
L5 =	867 mm	BK =	2500 mm
L7 =	1120 mm	TK =	2300 mm
X =	1290 mm		
Y =	670 mm		
Z =	2240 mm		



5.3 Lamp sets

WARNING!

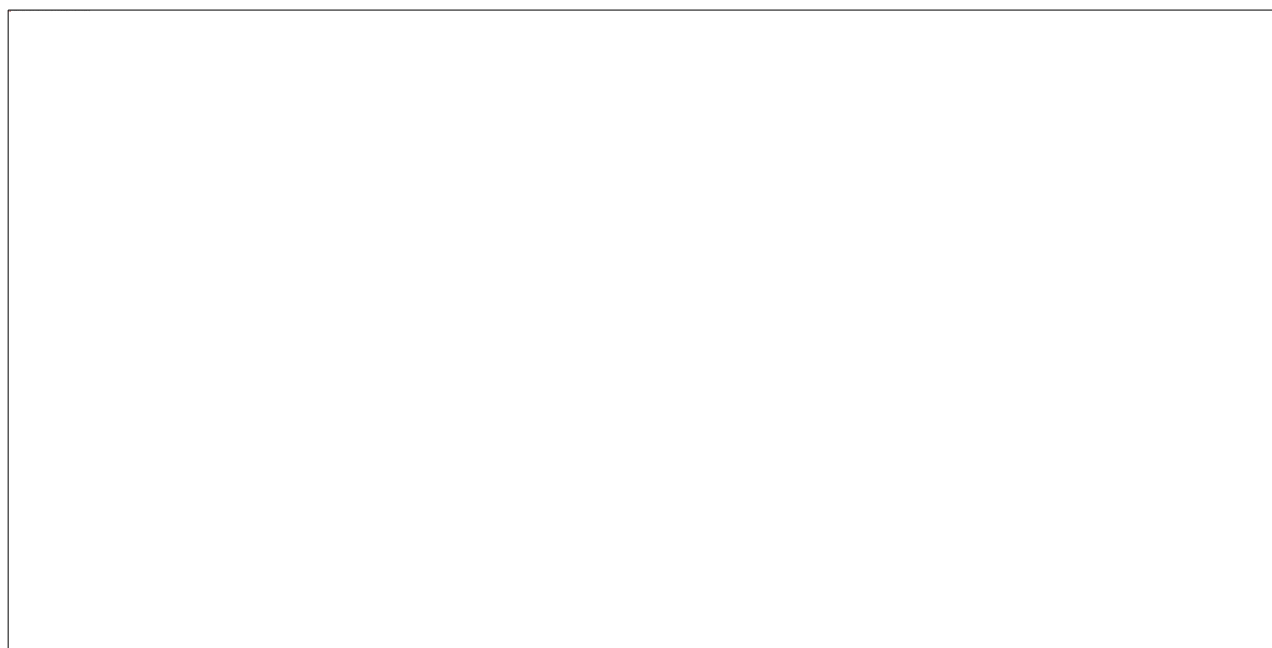


The conformity declaration applies for the specified lamps and filter panels. The use of other lamps and filter panels voids the operating licence.

Moreover, the lamps must be marked with a matching equivalence key, see attachment page 77.

The UV lamps used are broadband radiators that can be operated with different wattages (approx. 240-520 W).

5.3.1 Prestige Lightvision SLP

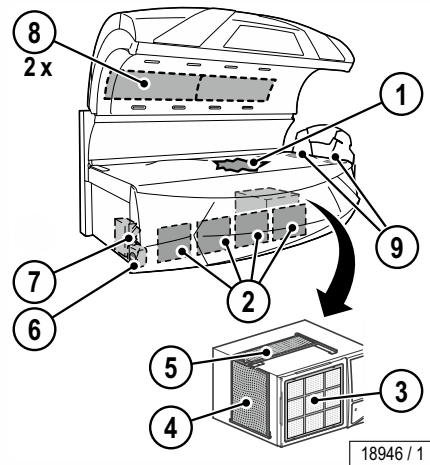


Lamp set (UV type 2)

	Number	Description	Length	Power	Control	Order-no.
a)	4	UV high pressure lamps Ergoline Ultra		520 W	420 W / 360 W / 260 W / 0 W	12645-..
	2	Filter panels SMART SUN 1042				1510350-..
	2	Filter panels SMART SUN 1042				1511242-..
b)	2	UVB compact lamps ERGOLINE TREND COMPACT 7W		7 W	7 W	1511239-..
	2	ERGOLINE UV-LED Board				1510155-..
c)	4	Low pressure lamps SMART SUN 71 8W	0,31 m	8 W	8 W / 0 W	1509418-..
	4	Starter S10 (5-65 W)				10047-..
d)	14	UV low pressure lamps ERGOLINE TREND ADVANCED 80-200 EP104 160W R	1,80 m	160 W	80-200 W	1511231-..
e)	6	Low pressure lamps SMART SUN+ R 27 160W	1,80 m	160 W	80-200 W	1511232-..
f)	6	UV low pressure lamps ERGOLINE TREND ADVANCED 80-200 EP104 160W R	1,80 m	160 W	80-200 W	1511231-..
g)	2	Low pressure lamps SMART SUN+ R 27 160W	1,80 m	160 W	80-200 W	1511232-..
h)	18	UV low pressure lamps ERGOLINE TREND ADVANCED 80-200 EP104 160W R	1,80 m	160 W	80-200 W	1511231-..
i)	6	Low pressure lamps SMART SUN+ R 27 160W	1,80 m	160 W	80-200 W	1511232-..



5.4 Spare parts and accessories



Number	Description	Order-no.
1	1 Partition	1500339-..
2	4 Filter	52104-..
3	1 Filter mat	–
4	1 Filter	51937-..
5	1 Filter	55567-..
6	1 AQUA SYSTEM, 6000 ml	1020224-..
7	1 AROMA, 100 ml RELAX	701357-..
8	2 Filter mats	843150-..
9	2 Filter mats	1511264-..
	1 Protective goggles	84592-..
	1 NFC lamps card for the UV lamp set	1511265-..
	1 NFC lamps card for the lamp set SMART SUN	1511266-..

6 Appendix



6.1 JK timer controls

The following coin modules/time control systems can be utilized with the PRESTIGE series devices.



MCS III plus
Order no.: 500000456



Studiopilot
Order no.: 34009900

6.2 Equivalence key range

Example for calculating the equivalence key range (1), see the lamp configuration sticker:

If the equivalence key of the lamp with which the device has been equipped during the type approval is

100-R-47/3.2,

the equivalence key range with which the device should be marked is calculated as follows:

Bottom value of the X section: $0.75 \times 47 = 35.25$

Bottom value of the Y section: $0.85 \times 3.2 = 2.72$

Top value of the Y section: $1.15 \times 3.2 = 3.68$

X is rounded up to the next whole value, Y will be rounded to the first decimal place after the point. The equivalence key range for fluorescent lamps is then:

100-R-(35-47)/(2.7-3.7)



					Engine		
					ESPART 770-S DYNAMIC POWER		
	①	10x			Engine TFRD 00-200 W SS	1004100	100-R-(35-47)/(27-3,7)
	②	8x			Engine TFRD 00-200 W SS	1004100	100-R-(35-47)/(27-3,7)
	③	12x			Engine TFRD 00-200 W SS	1004100	100-R-(35-47)/(27-3,7)
	④		8x	2x	Engine ULTRA 300 W ULTRA PERFORMANCE SS2	1004100	
	⑤				Engine TFRD 00-200 W SS	-	100-R-(35-47)/(27-3,7)
	⑥		8x	2x	Engine ULTRA 300 W ULTRA PERFORMANCE SS2	1004100	
EIN EN 10155-2-11, max. 0,3 W/m²						1004100	
JK-Products GmbH / GERMANY						1003056-01	



13192 / 0

6.2.1 Description of the equivalence keys for fluorescent lamps

The equivalence key for fluorescent lamps for tanning that is represented in detail in the IEC 61228 and that is marked on the lamp in a readable and permanent manner, is described in the following.

The equivalence key has the following structure:

Wattage – Reflector type key – UV key.

The following reflector type key should be used for the equivalence key:

O with lamps without reflector;

B with lamps that have a wide reflecting angle $\alpha > 230^\circ$;

N with lamps that have a narrow reflecting angle $\alpha < 200^\circ$;

R with lamps that have the usual reflecting angle $200^\circ \leq \alpha \leq 230^\circ$.

The following UV key should be used for the equivalence key:

UV key = X/Y;

X = the entire effective erythemal UV radiation strength across the range 250 nm to 400 nm;

Y = the relationship of the non-melanoma skin cancer effective UV radiation strength ≤ 320 nm and > 320 nm.

X is specified in mW/m² and rounded up to the next whole value, Y will be rounded to the first decimal place after the point. The effective values apply for a distance of 25 cm and under the conditions of an optimum UV radiation strength.

Note

One example for an equivalence key is specified below:

- 100 W reflector lamp with a reflector angle of 220°
- erythemal UV radiation strength (250 nm to 400 nm) = 47 mW/m²
- short wave NMSC effective UV radiation strength (≤ 320 nm) = 61 mW/m²
- long wave NMSC effective UV radiation strength (> 320 nm) = 19 mW/m²
- lamp equivalence key: 100-R-47/3.2

7 Index



A

Accessories.....	27, 76
Acrylic glass (care).....	43
Acrylic glass panel - sunbed	46
Acrylic glass panel, permitted load.....	72
Acrylic glass panels (product information)	46
Adolescents	8, 28
Allergies	28
AQUA / AROMA system maintenance.....	69
Assembly	13
AUX (music).....	19

B

Bluetooth®	37
------------------	----

C

Care	42
Changing the AROMA canister	69
Children.....	10
Cleaning.....	41, 42
Air conditioning.....	66
Air conditioning filter	66
Filter mats.....	64, 65
Lamps, filter panels	43
Cleaning intervals	44
Cleaning or replacing	
Side section.....	59
Cleaning or replacing lamps	
Base	58
Cleaning overview.....	44
Cleaning the filter	63, 64
Cleaning, filter	63
Cleaning/replacing the low-pressure lamps	
Shoulder tanner.....	61
Commissioning	16
Contact lenses	28
Copy protection.....	19
Cosmetics	10
Customer service	2



D

Decommissioning 17
 Definitions 6
 Description 26
 Device description 26
 Device operating time..... 16
 Dimensions 73
 Directives 18
 Disposal 17

E

E.V.A. 40
 Electrical installation..... 14
 Electrical specifications 72
 ELECTRONIC VOICE ASSISTANT 40
 Empty the condensation tank 66
 Equipment 25
 Equivalence key range 77
 Error codes..... 42
 Exhaust air ventilation 14
 Export..... 18
 Eye damage 28

F

Facial tanner
 Cleaning/replacing 60
 Maintenance intervals..... 46
 Faults 42
 Filter
 Cleaning intervals 44
 Filter panels..... 57
 Cleaning/replacing 60
 Maintenance intervals..... 46
 Filters
 Clean 65
 Foreseeable misuse 8
 Functions..... 32

H

High pressure lamps, danger of fire! 57

I

Illnesses 28
 Intended use 8

Itching	28
L	
Lamp sets	74
Lamps	8
Control	74
Power levels	74
Rated power	74
Lamps cleaning/replacing	
Facial tanner	60
Lift up the acrylic glass panel	51
Light sensitivity	28
Low-pressure lamps	
Cleaning/replacing	61
M	
Maintenance	41, 45
Maintenance overview	46
Make-up	28
Medicaments	28
Music	39
N	
Network	46
NFC	54
Noise level	72
O	
Open the bed base	53
Operating altitude	15
Operating overview	30
Operator's obligations	13
Order numbers	74, 76
P	
Packaging	17
Personnel training	13
Plastic surfaces (care)	43
Play rights	19
Plug-in connector	14
Power	72
PROFESSIONAL SETUP MANAGER PLUS	31
Prohibited usage	9
Protective glasses	10
Protective measures when performing maintenance work	41





R

Radiation area 39

Recycling..... 17

Remote access 46

Remove the canopy panel..... 52

Remove the side section panel 52

Replace the low pressure lamps 55

Replacing the AQUA SYSTEM canister 70

Replacing the lamps..... 54

Restrictions 10

Risk of injury..... 28

S

Safety 14

Safety equipment 24

Safety instructions

 Device-specific safety instructions 9

 General safety instructions 13

Scope of delivery..... 13, 25

Service kit..... 50

Setup..... 13

Setup location 15

Showering 28

Size 73

Skin sensitivity..... 11

Skin type 11

Spare parts..... 46

 Order numbers 76

Starter 74

Starter, replacing 56

Starting the tanning 36

Start-up adjustments 36

Storage..... 17

Sunburn..... 28

Symbols 7

T

Tanning times..... 12

Technical data 72

Time control 16

Transport..... 13

U

UV exposure 10



V

Ventilation 14

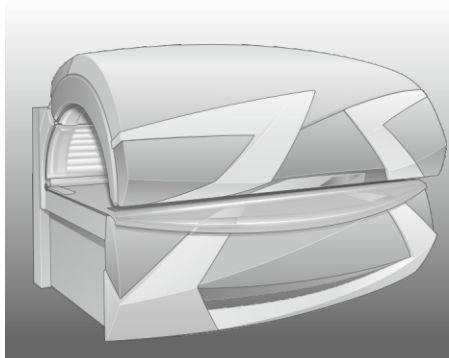
Voice control 40

Volume 39

W

Warranty 24





Ergoline

PRESTIGE Lightvision
HYBRID TECHNOLOGY

JK-INTERNATIONAL GMBH

Koehlershohner Strasse 60
53578 Windhagen/GERMANY
Phone: +49 (0) 2224/818-0
Fax: +49 (0) 2224/818-500
Internet: www.ergoline.de
E-Mail: info@ergoline.de